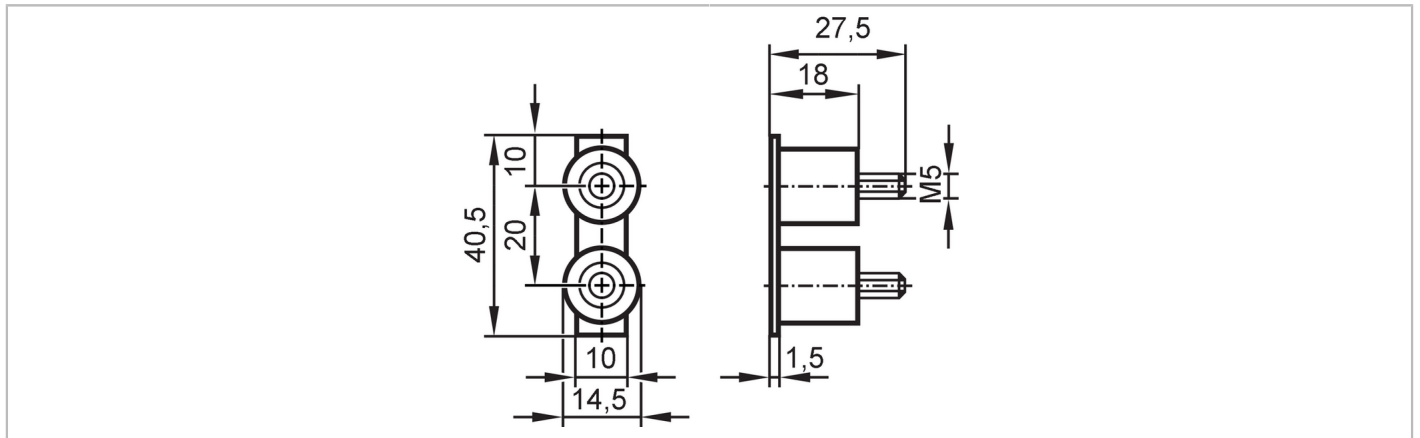


EY3001



Vibration damper for safety light grids

ANTIVIBRAT.MOUNT.CLAMP SET4



Mechanical data

Weight	[g]	94.5
Dimensions	[mm]	40 x 27.5 x 10
Material		rubber; metal galvanized

Remarks

Pack quantity		4 pcs.
---------------	--	--------