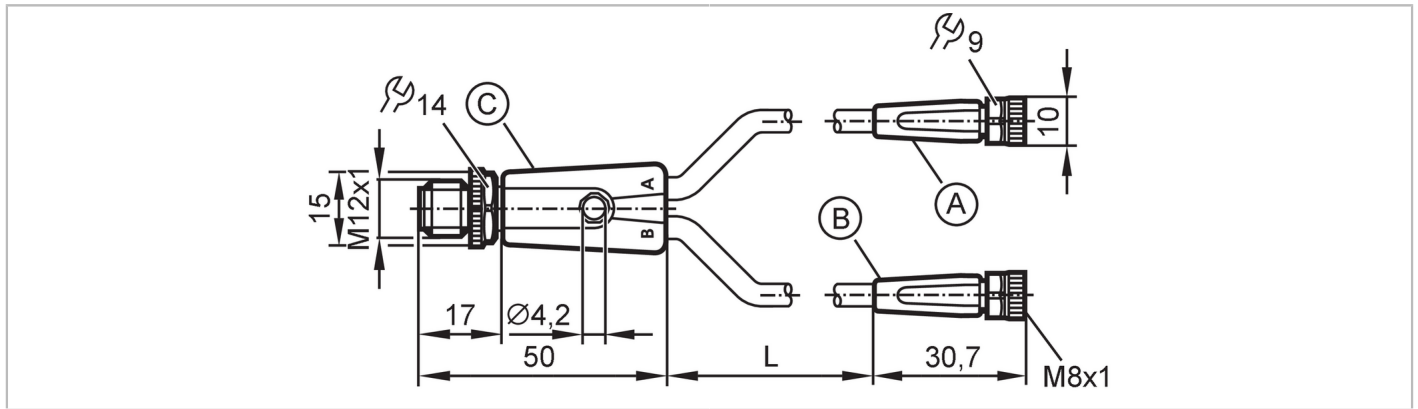


EVW108



Y connection cable

YDOGF030SCS00,3T03STGH040SCS



Application		
Special feature	Free from silicone; Halogen-free; gold-plated contacts; Drag chain suitability	
Application	welding applications	
Free from silicone	yes	
Electrical data		
Operating voltage [V]	< 50 AC / < 60 DC	
Protection class	III	
Max. current load total [A]	3	
Operating conditions		
Ambient temperature [°C]	-25...90	
Ambient temperature (moving) [°C]	-25...90	
Protection	IP 65; IP 67; IP 68; IP 69K	
Mechanical data		
Weight [g]	46.4	
Molded-body material	TPU (urethane)	
Material nut	brass, weld coated	
Sealing material	FKM	
Number of ports splitter box	2	
Drag chain suitability	yes	
Drag chain suitability	Bending radius for flexible applications	min. 10 x cable diameter
	Travel speed	max. 3.3 m/s for a horizontal travel length of 5 m and max. acceleration of 5 m/s ²
	Bending cycles	> 2 Mio.
	Torsional strain	± 180 °/m
Remarks		
Remarks	without label holders	
Pack quantity	1 pcs.	

EVW108



Y connection cable

YDOG030SCS00,3T03STGH040SCS

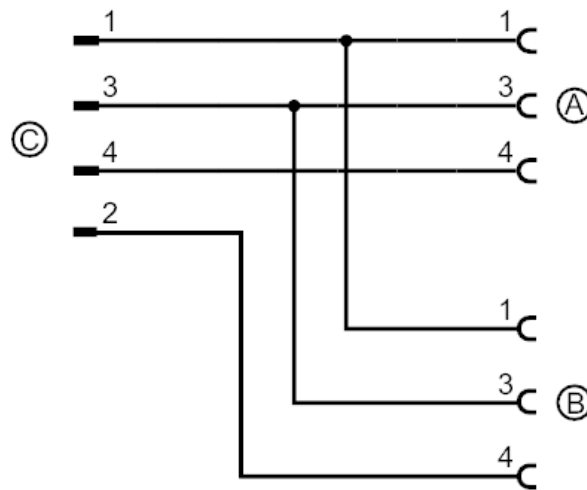
Electrical connection - plug C

Connector: 1 x M12, straight; coding: A; Contacts: 4, gold-plated; Moulded body: TPU (urethane), orange; Locking: brass, weld coated; Tightening torque: 0.6...1.5 Nm



Electrical connection

Connection



Electrical connection - Socket A/B

Cable: 0.3 m, PUR, Halogen-free, grey, Ø 4.5 mm; not irradiated (can be recycled); resistant to welding sparks; 3 x 0.25 mm² (32 x Ø 0.1 mm)

Connector: 2 x M8, straight; coding: A; Contacts: 3, gold-plated; Moulded body: TPU (urethane), orange; Locking: brass, weld coated; sealing: FKM; Tightening torque: 0.3...0.5 Nm

