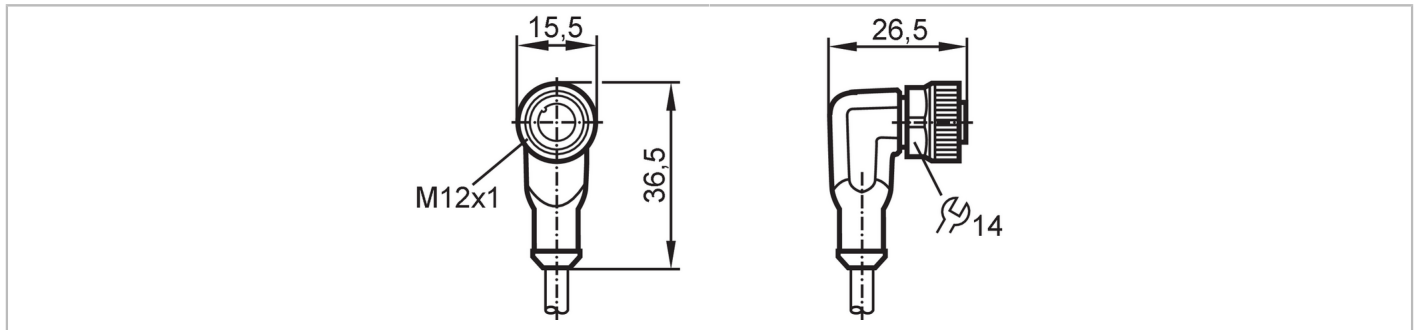


EVW006



Female cordset

ADOAH040SCS0010T04



| Application | | | | | | | | | |
|---|--|--|--------------------------|--------------|--|----------------|----------|------------------|-----------|
| Special feature | Free from silicone; Halogen-free; gold-plated contacts; Drag chain suitability | | | | | | | | |
| Application | welding applications | | | | | | | | |
| Free from silicone | yes | | | | | | | | |
| Electrical data | | | | | | | | | |
| Operating voltage [V] | < 250 AC / < 300 DC | | | | | | | | |
| Protection class | II | | | | | | | | |
| Max. current load total [A] | 4 | | | | | | | | |
| Operating conditions | | | | | | | | | |
| Ambient temperature [°C] | -25...90 | | | | | | | | |
| Note on ambient temperature | cULus: ...75 | | | | | | | | |
| Ambient temperature (moving) [°C] | -25...90 | | | | | | | | |
| Note on ambient temperature (moving) | cULus: ...75 | | | | | | | | |
| Storage temperature [°C] | -25...55 | | | | | | | | |
| Storage humidity [%] | 10...100 | | | | | | | | |
| Other climatic conditions for storage according to stated class | 1K22/ DIN 60721-3-1 | | | | | | | | |
| Protection | IP 65; IP 67; IP 68; IP 69K | | | | | | | | |
| Mechanical data | | | | | | | | | |
| Weight [g] | 335.9 | | | | | | | | |
| Dimensions [mm] | 26.5 x 15.5 x 36.5 | | | | | | | | |
| Material | housing: TPU (urethane) orange; sealing: FKM | | | | | | | | |
| Molded-body material | TPU (urethane) | | | | | | | | |
| Material nut | brass, weld coated | | | | | | | | |
| Sealing material | FKM | | | | | | | | |
| Drag chain suitability | yes | | | | | | | | |
| Drag chain suitability | <table border="1"> <tr> <td>Bending radius for flexible applications</td> <td>min. 10 x cable diameter</td> </tr> <tr> <td>Travel speed</td> <td>max. 3.3 m/s for a horizontal travel length of 5 m and max. acceleration of 5 m/s²</td> </tr> <tr> <td>Bending cycles</td> <td>> 2 Mio.</td> </tr> <tr> <td>Torsional strain</td> <td>± 180 °/m</td> </tr> </table> | Bending radius for flexible applications | min. 10 x cable diameter | Travel speed | max. 3.3 m/s for a horizontal travel length of 5 m and max. acceleration of 5 m/s ² | Bending cycles | > 2 Mio. | Torsional strain | ± 180 °/m |
| Bending radius for flexible applications | min. 10 x cable diameter | | | | | | | | |
| Travel speed | max. 3.3 m/s for a horizontal travel length of 5 m and max. acceleration of 5 m/s ² | | | | | | | | |
| Bending cycles | > 2 Mio. | | | | | | | | |
| Torsional strain | ± 180 °/m | | | | | | | | |

EVW006



Female cordset

ADOAH040SCS0010T04

Remarks

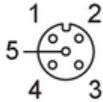
Pack quantity 1 pcs.

Electrical connection

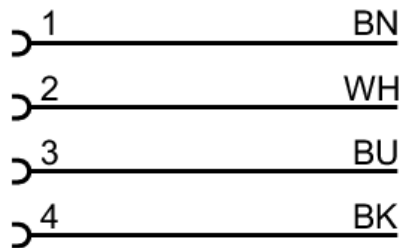
Cable: 10 m, PUR, Halogen-free, grey, Ø 4.9 mm; not irradiated (can be recycled); resistant to welding sparks; 4 x 0.34 mm² (42 x Ø 0.1 mm)

Electrical connection - Socket

Connector: 1 x M12, angled; coding: A; Contacts: 4, gold-plated; Moulded body: TPU (urethane), orange; Locking: brass, weld coated; sealing: FKM; Tightening torque: 0.6...1.5 Nm



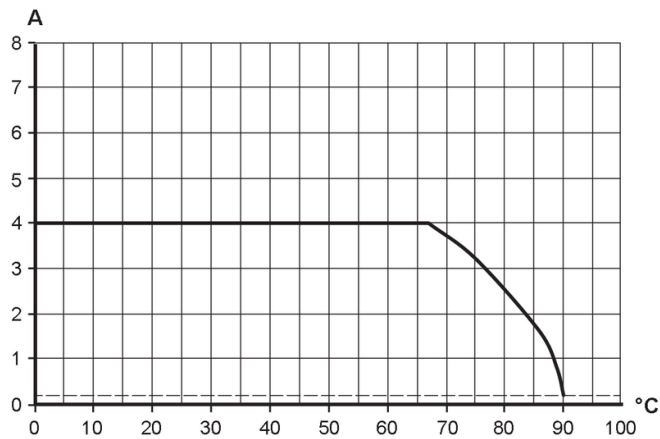
Connection



Core colors :
BK = black
BN = brown
BU = blue
WH = white

Diagrams and graphs

Characteristic curve for derating



Derating $I_{max} * 0.8$ (DIN EN 60512-5-2)

X Ambient temperature [°C]

Y Current [A]