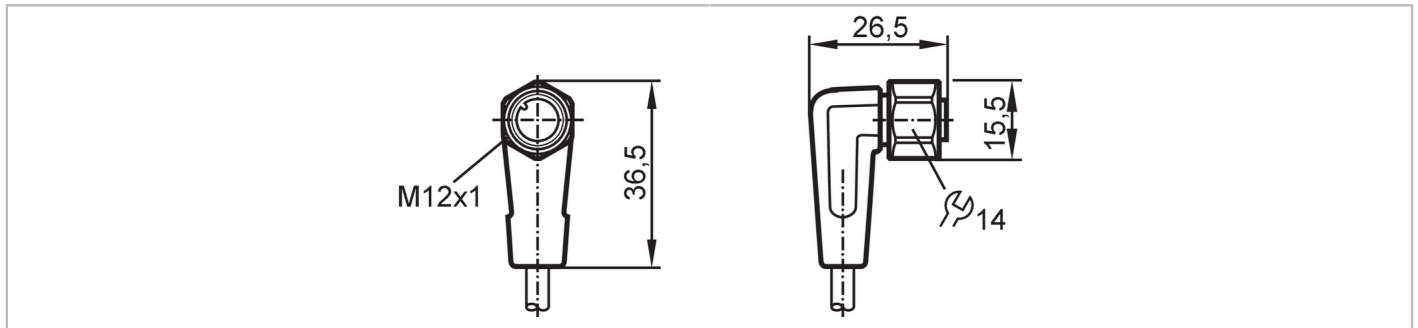


EVT386



Female cordset

ADOAH040VAS0005G04



| Application | | |
|--------------------------------------|--|--|
| Special feature | Free from silicone; gold-plated contacts; screened cable; Drag chain suitability | |
| Application | sanitary and wet areas in the food industry | |
| Free from silicone | yes | |
| Electrical data | | |
| Operating voltage [V] | < 50 AC / < 60 DC | |
| Protection class | III | |
| Max. current load total [A] | 4 | |
| Overall current rating (UL) [A] | 3 | |
| Operating conditions | | |
| Ambient temperature [°C] | -25...100 | |
| Note on ambient temperature | cULus: ...50 | |
| Ambient temperature (moving) [°C] | 5...100 | |
| Note on ambient temperature (moving) | cULus: ...50 | |
| Protection | IP 65; IP 67; IP 68; IP 69K | |
| Mechanical data | | |
| Weight [g] | 253.5 | |
| Dimensions [mm] | 26.5 x 15.5 x 36.5 | |
| Molded-body material | PVC | |
| Material nut | stainless steel (1.4404 / 316L) | |
| Sealing material | EPDM | |
| Drag chain suitability | yes | |
| Drag chain suitability | Bending radius for flexible applications | min. 10 x cable diameter |
| | Travel speed | max. 3.3 m/s for a horizontal travel length of 5 m and max. acceleration of 5 m/s ² |
| | Bending cycles | > 1 Mio. |
| | Torsional strain | ± 180 °/m |
| Remarks | | |
| Pack quantity | 1 pcs. | |

EVT386



Female cordset

ADOAH040VAS0005G04

Electrical connection

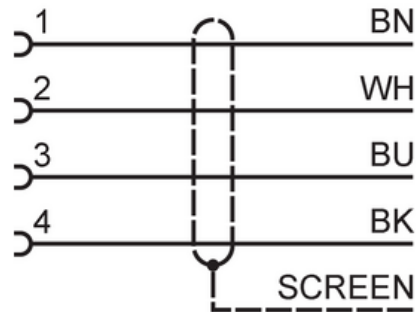
Cable: 5 m, PVC, orange, \varnothing 5.2 mm, screened; 4 x 0.34 mm² (42 x \varnothing 0.1 mm)

Electrical connection - Socket

Connector: 1 x M12, angled; coding: A; Contacts: 4, gold-plated; Moulded body: PVC, orange; Locking: stainless steel (1.4404 / 316L); sealing: EPDM; Tightening torque: 0.6...1.5 Nm; Shielded connection cable: shield not connected



Connection



Core colors :
BK = black
BN = brown
BU = blue
WH = white