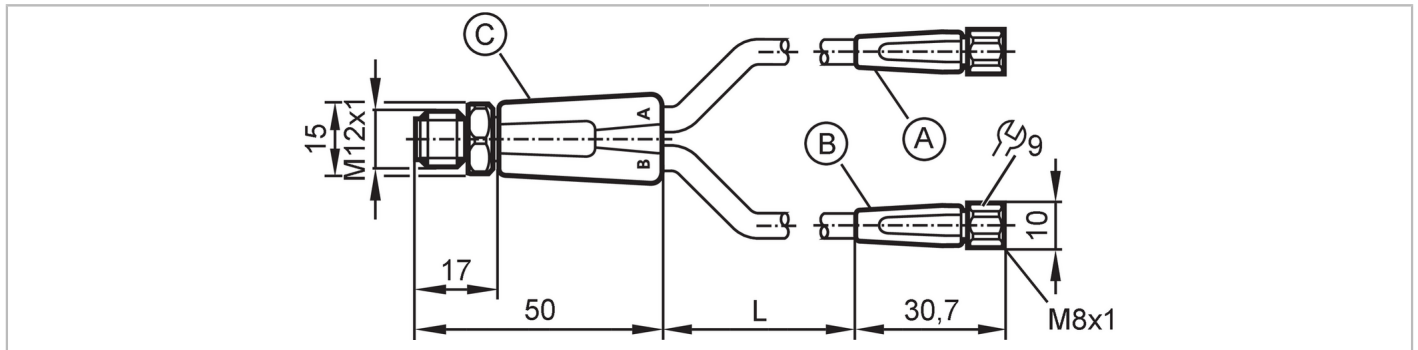


# EVT338



## Y connection cable

YDOGF030VAS00,6E03STGH040VAS



Application		
Special feature	Free from silicone; gold-plated contacts; Drag chain suitability	
Application	sanitary and wet areas in the food industry	
Free from silicone	yes	
Electrical data		
Operating voltage [V]	< 50 AC / < 60 DC	
Protection class	III	
Max. current load total [A]	3	
Operating conditions		
Ambient temperature [°C]	-25...80	
Note on ambient temperature	cULus: ...50 °C	
Ambient temperature (moving) [°C]	5...80	
Note on ambient temperature (moving)	cULus: ...50 °C	
Protection	IP 65; IP 67; IP 68; IP 69K	
Mechanical data		
Weight [g]	70.3	
Molded-body material	PVC	
Material nut	stainless steel (1.4404 / 316L)	
Sealing material	EPDM	
Number of ports splitter box	2	
Drag chain suitability	yes	
Drag chain suitability	Bending radius for flexible applications	min. 10 x cable diameter
	Travel speed	max. 3.3 m/s for a horizontal travel length of 5 m and max. acceleration of 5 m/s <sup>2</sup>
	Bending cycles	> 1 Mio.
	Torsional strain	± 180 °/m
Remarks		
Pack quantity	1 pcs.	

# EVT338



## Y connection cable

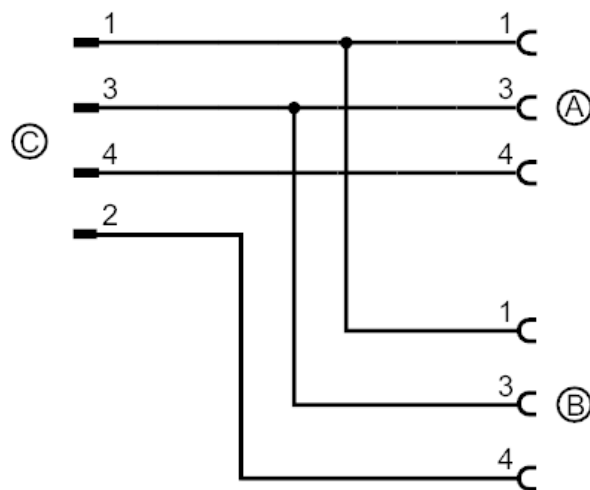
YDOG F030VAS00,6E03STGH040VAS

### Electrical connection - plug C

Connector: 1 x M12, straight; coding: A; Contacts: 4, gold-plated; Moulded body: PVC, orange; Locking: stainless steel (1.4404 / 316L); Tightening torque: 0.6...1.5 Nm



### Connection



### Electrical connection - Socket A/B

Cable: 0.6 m, PVC, orange,  $\varnothing$  4.9 mm; 3 x 0.34 mm<sup>2</sup> (42 x  $\varnothing$  0.1 mm)

Connector: 2 x M8, straight; coding: A; Contacts: 3, gold-plated; Moulded body: PVC, orange; Locking: stainless steel (1.4404 / 316L); sealing: EPDM; Tightening torque: 0.3...0.5 Nm

