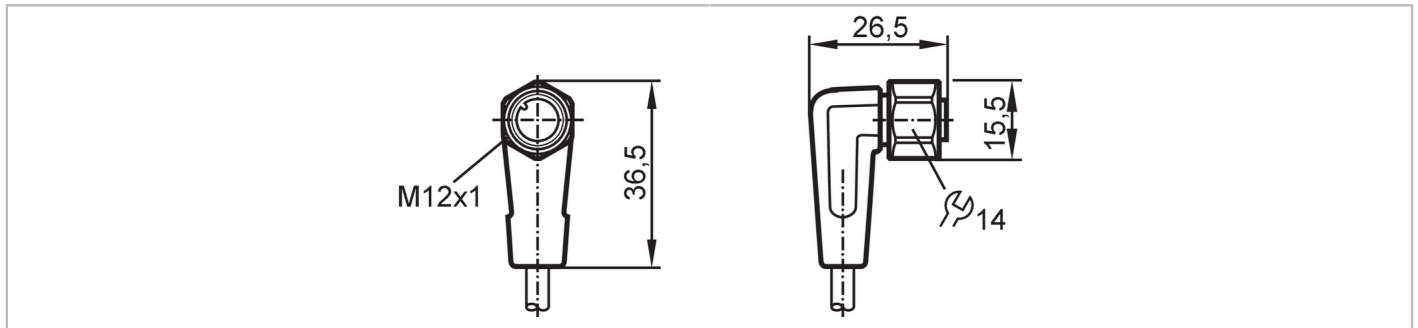


EVF015



Female cordset

ADOAH050VAS0025P05



Application									
Special feature	Free from silicone; Halogen-free; gold-plated contacts; Drag chain suitability								
Application	sanitary and wet areas in the food industry								
Free from silicone	yes								
Electrical data									
Operating voltage [V]	< 60 AC/DC								
Protection class	II								
Max. current load total [A]	4								
Overall current rating (UL) [A]	3								
Operating conditions									
Ambient temperature [°C]	-25...100								
Note on ambient temperature	cULus: ...65 °C								
Ambient temperature (moving) [°C]	0...100								
Note on ambient temperature (moving)	cULus: ...65 °C								
Storage temperature [°C]	-25...55								
Storage humidity [%]	10...100								
Other climatic conditions for storage according to stated class	1K22/ DIN 60721-3-1								
Protection	IP 65; IP 67; IP 68; IP 69K								
Mechanical data									
Weight [g]	892								
Dimensions [mm]	26.5 x 15.5 x 36.5								
Molded-body material	PP, Halogen-free								
Material nut	stainless steel (1.4404 / 316L)								
Sealing material	EPDM								
Drag chain suitability	yes								
Drag chain suitability	<table border="1"> <tr> <td>Bending radius for flexible applications</td> <td>min. 10 x cable diameter</td> </tr> <tr> <td>Travel speed</td> <td>max. 3.3 m/s for a horizontal travel length of 5 m and max. acceleration of 5 m/s²</td> </tr> <tr> <td>Bending cycles</td> <td>> 1 Mio.</td> </tr> <tr> <td>Torsional strain</td> <td>± 180 °/m</td> </tr> </table>	Bending radius for flexible applications	min. 10 x cable diameter	Travel speed	max. 3.3 m/s for a horizontal travel length of 5 m and max. acceleration of 5 m/s ²	Bending cycles	> 1 Mio.	Torsional strain	± 180 °/m
Bending radius for flexible applications	min. 10 x cable diameter								
Travel speed	max. 3.3 m/s for a horizontal travel length of 5 m and max. acceleration of 5 m/s ²								
Bending cycles	> 1 Mio.								
Torsional strain	± 180 °/m								

EVF015



Female cordset

ADOAH050VAS0025P05

Remarks

Pack quantity

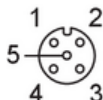
1 pcs.

Electrical connection

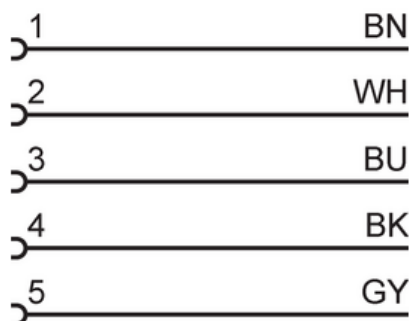
Cable: 25 m, MPPE, Halogen-free, grey, Ø 5.1 mm; 5 x 0.34 mm² (42 x Ø 0.1 mm)

Electrical connection - Socket

Connector: 1 x M12, angled; coding: A; Contacts: 5, gold-plated; Moulded body: PP, Halogen-free; Locking: stainless steel (1.4404 / 316L); sealing: EPDM; Tightening torque: 0.6...1.5 Nm



Connection



Core colors :
BK = black
BN = brown
BU = blue
GY = grey
WH = white