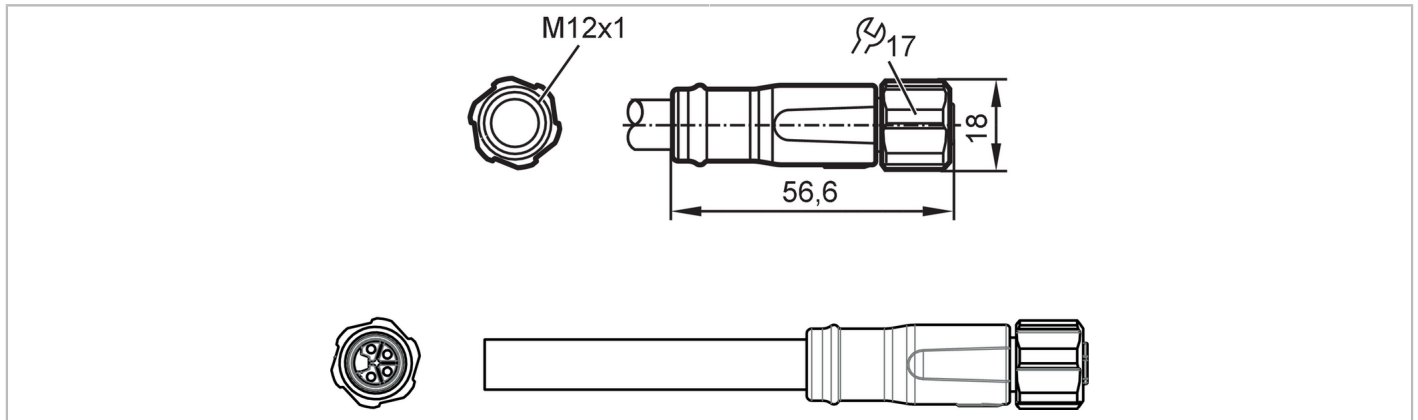


# EVF613



## Female cordset

ADOGE050VAS0010P05



Application		
Special feature	Free from silicone; Halogen-free; gold-plated contacts; Drag chain suitability	
Design	Power cable, L-coded	
Application	Washdown applications	
Free from silicone	yes	
Electrical data		
Operating voltage [V]	63 DC	
Protection class	III	
Max. current load total [A]	16	
Operating conditions		
Ambient temperature [°C]	-25...100	
Note on ambient temperature	cULus: ...65 °C	
Storage temperature [°C]	-25...55	
Storage humidity [%]	10...100	
Other climatic conditions for storage according to stated class	1K22/ DIN 60721-3-1	
Protection	IP 65; IP 67; IP 69K	
Mechanical data		
Weight [g]	1872.75	
Molded-body material	PP	
Material nut	stainless steel (1.4404 / 316L)	
Sealing material	EPDM	
Drag chain suitability	yes	
Drag chain suitability	Bending radius for flexible applications	min. 10 x cable diameter
	Travel speed	max. 3.3 m/s for a horizontal travel length of 5 m and max. acceleration of 5 m/s <sup>2</sup>
	Bending cycles	> 1 Mio.
	Torsional strain	± 180 °/m
Remarks		
Pack quantity	1 pcs.	

# EVF613



## Female cordset

ADOGE050VAS0010P05

### Electrical connection

Cable: 10 m, MPPE, Halogen-free, grey,  $\varnothing$  10.1 mm; 5 x 2.5 mm<sup>2</sup> (141 x  $\varnothing$  0.15 mm )

### Electrical connection - Socket

Connector: 1 x M12, straight; coding: L; Contacts: 5, gold-plated; Moulded body: PP, grey; Locking: stainless steel (1.4404 / 316L); sealing: EPDM; Tightening torque: 0.6...1.2 Nm



### Connection

1	BN
2	WH
3	BU
4	BK
FE	GY

	Core colors :
BK =	black
BN =	brown
BU =	blue
GY =	grey
WH =	white