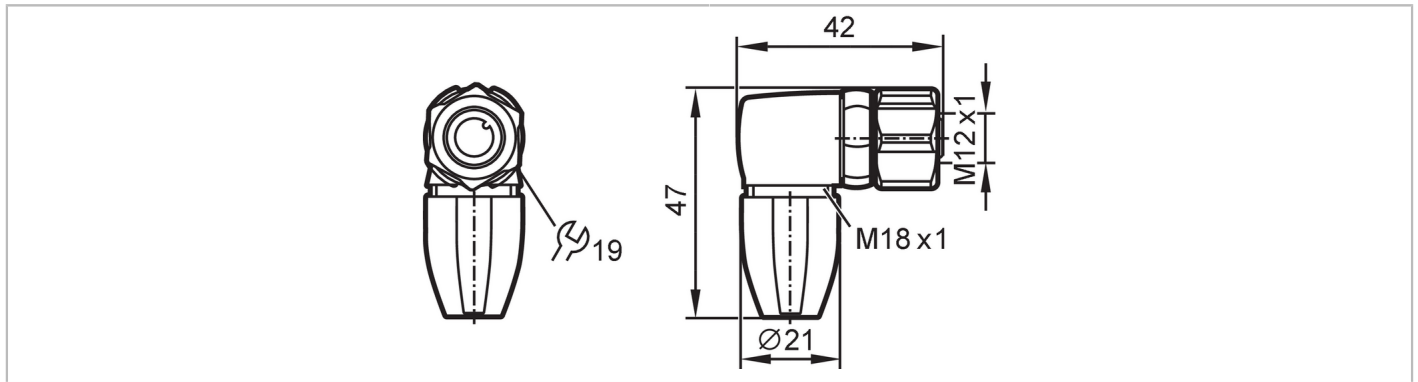


EVF570



Female wirable connectors

SDOAH050VASFKPG



Application	
Special feature	Free from silicone; gold-plated contacts
Application	sanitary and wet areas in the food industry
Free from silicone	yes
Electrical data	
Operating voltage [V]	< 60 AC/DC
Protection class	II
Max. current load total [A]	4; (...40 °C)
Operating conditions	
Ambient temperature [°C]	-25...100
Storage temperature [°C]	-25...55
Storage humidity [%]	10...100
Other climatic conditions for storage according to stated class	1K22/ DIN 60721-3-1
Protection	IP 65; IP 67; IP 68; IP 69K
Mechanical data	
Weight [g]	42
Molded-body material	PA 6.6
Material nut	stainless steel (1.4404 / 316L)
Sealing material	EPDM
Remarks	
Pack quantity	1 pcs.
Electrical connection	
screw terminals: 0.25...1 mm ² ; Cable sheath: Ø 3.5...6 mm; AWG 23...17	
Electrical connection - Socket	
Connector: 1 x M12, angled; coding: A; Contacts: 5, gold-plated; Moulded body: PA 6.6, grey; Locking: stainless steel (1.4404 / 316L); sealing: EPDM; Tightening torque: 0.6...1.2 Nm; Take into account the maximum value of the counterpart!	

EVF570



Female wirable connectors

SDOAH050VASFKPG

Connection

