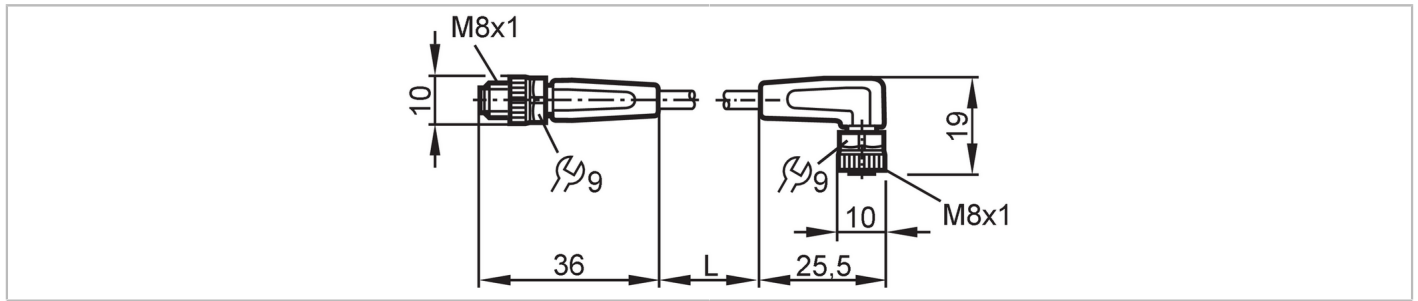


# EVC303



## Connection cable

VDOAF040MSS0002H04STGF040MSS



### Application

Special feature	Free from silicone; Halogen-free; gold-plated contacts; Drag chain suitability
Application	Industrial applications; Oils and coolants
Free from silicone	yes

### Electrical data

Operating voltage [V]	< 50 AC / < 60 DC
Protection class	III
Max. current load total [A]	3

### Operating conditions

Ambient temperature [°C]	-25...90
Note on ambient temperature	cULus: ...80 °C
Ambient temperature (moving) [°C]	-25...90
Note on ambient temperature (moving)	cULus: ...80 °C
Protection	IP 65; IP 67; IP 68; IP 69K

### Mechanical data

Weight [g]	61.9	
Dimensions [mm]	10 x 10 x 36	
Molded-body material	TPU (urethane)	
Material nut	brass, nickel-plated	
Sealing material	FKM	
Drag chain suitability	yes	
Drag chain suitability	Bending radius for flexible applications	min. 10 x cable diameter
	Travel speed	max. 3.3 m/s for a horizontal travel length of 5 m and max. acceleration of 5 m/s <sup>2</sup>
	Bending cycles	> 5 Mio.
	Torsional strain	± 180 °/m

### Remarks

Pack quantity	1 pcs.
---------------	--------

### Electrical connection - plug

Connector: 1 x M8, straight; coding: A; Contacts: 4, gold-plated; Moulded body: TPU (urethane), orange; Locking: brass, nickel-plated; Tightening torque: 0.3...0.5 Nm





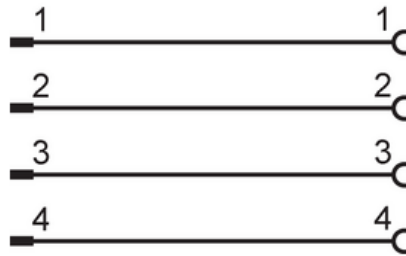
## Connection cable

VDOAF040MSS0002H04STGF040MSS

### Electrical connection

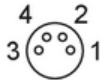
Cable: 2 m, PUR, Halogen-free, black,  $\varnothing$  3.7 mm; 4 x 0.25 mm<sup>2</sup> (32 x  $\varnothing$  0.1 mm )

### Connection



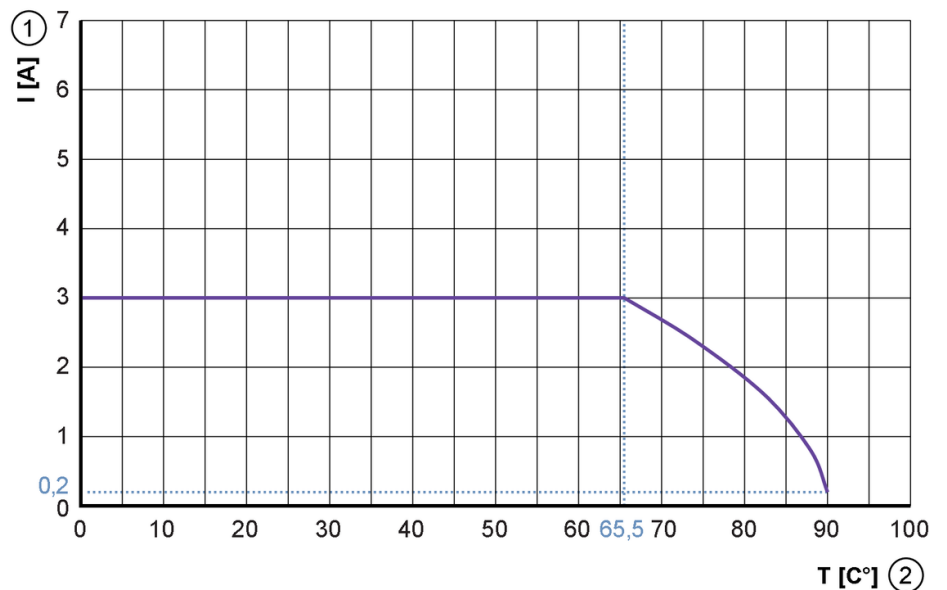
### Electrical connection - Socket

Connector: 1 x M8, angled; coding: A; Contacts: 4, gold-plated; Moulded body: TPU (urethane), orange; Locking: brass, nickel-plated; sealing: FKM; Tightening torque: 0.3...0.5 Nm



### Diagrams and graphs

Characteristic curve for derating



- 1 Current [A]
- 2 Ambient temperature [°C]