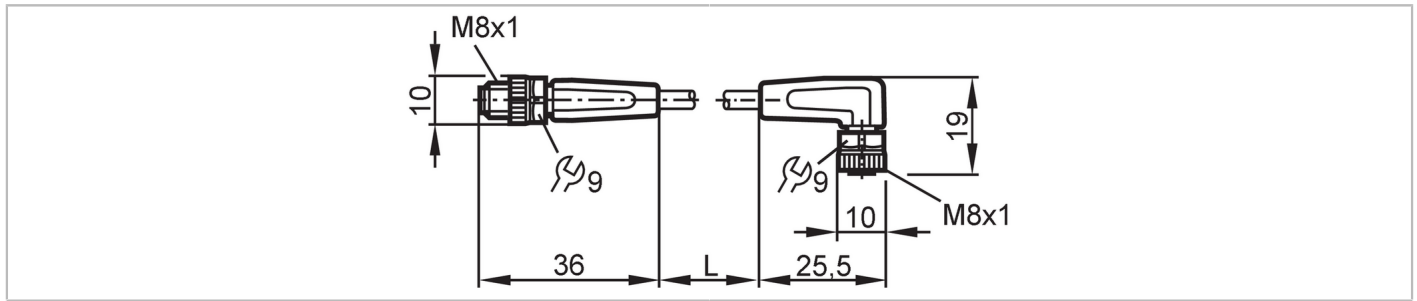


# EVC302



## Connection cable

VDOAF040MSS0001H04STGF040MSS



Application									
Special feature	Free from silicone; Halogen-free; gold-plated contacts; Drag chain suitability								
Application	Industrial applications; Oils and coolants								
Free from silicone	yes								
Electrical data									
Operating voltage [V]	< 50 AC / < 60 DC								
Protection class	III								
Max. current load total [A]	3								
Operating conditions									
Ambient temperature [°C]	-25...90								
Note on ambient temperature	cULus: ...80 °C								
Ambient temperature (moving) [°C]	-25...90								
Note on ambient temperature (moving)	cULus: ...80 °C								
Protection	IP 65; IP 67; IP 68; IP 69K								
Mechanical data									
Weight [g]	42.1								
Dimensions [mm]	10 x 10 x 36								
Molded-body material	TPU (urethane)								
Material nut	brass, nickel-plated								
Sealing material	FKM								
Drag chain suitability	yes								
Drag chain suitability	<table border="1"> <tr> <td>Bending radius for flexible applications</td> <td>min. 10 x cable diameter</td> </tr> <tr> <td>Travel speed</td> <td>max. 3.3 m/s for a horizontal travel length of 5 m and max. acceleration of 5 m/s<sup>2</sup></td> </tr> <tr> <td>Bending cycles</td> <td>&gt; 5 Mio.</td> </tr> <tr> <td>Torsional strain</td> <td>± 180 °/m</td> </tr> </table>	Bending radius for flexible applications	min. 10 x cable diameter	Travel speed	max. 3.3 m/s for a horizontal travel length of 5 m and max. acceleration of 5 m/s <sup>2</sup>	Bending cycles	> 5 Mio.	Torsional strain	± 180 °/m
Bending radius for flexible applications	min. 10 x cable diameter								
Travel speed	max. 3.3 m/s for a horizontal travel length of 5 m and max. acceleration of 5 m/s <sup>2</sup>								
Bending cycles	> 5 Mio.								
Torsional strain	± 180 °/m								
Remarks									
Pack quantity	1 pcs.								
Electrical connection - plug									

Connector: 1 x M8, straight; coding: A; Contacts: 4, gold-plated; Moulded body: TPU (urethane), orange; Locking: brass, nickel-plated; Tightening torque: 0.3...0.5 Nm





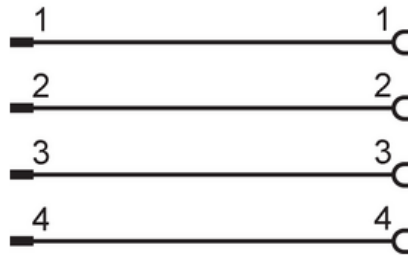
## Connection cable

VDOAF040MSS0001H04STGF040MSS

### Electrical connection

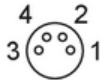
Cable: 1 m, PUR, Halogen-free, black,  $\varnothing$  3.7 mm; 4 x 0.25 mm<sup>2</sup> (32 x  $\varnothing$  0.1 mm )

### Connection



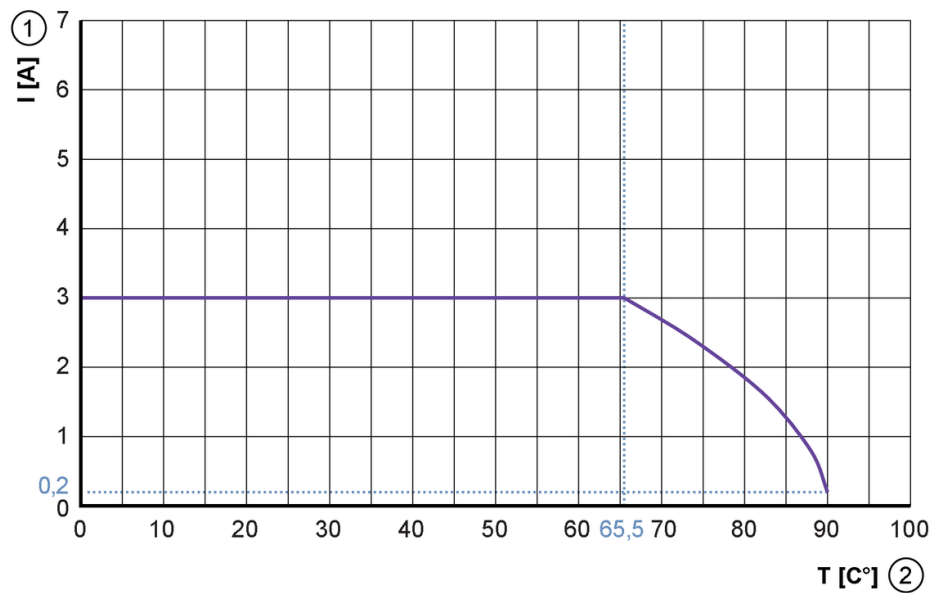
### Electrical connection - Socket

Connector: 1 x M8, angled; coding: A; Contacts: 4, gold-plated; Moulded body: TPU (urethane), orange; Locking: brass, nickel-plated; sealing: FKM; Tightening torque: 0.3...0.5 Nm



### Diagrams and graphs

Characteristic curve for derating



- 1 Current [A]
- 2 Ambient temperature [°C]