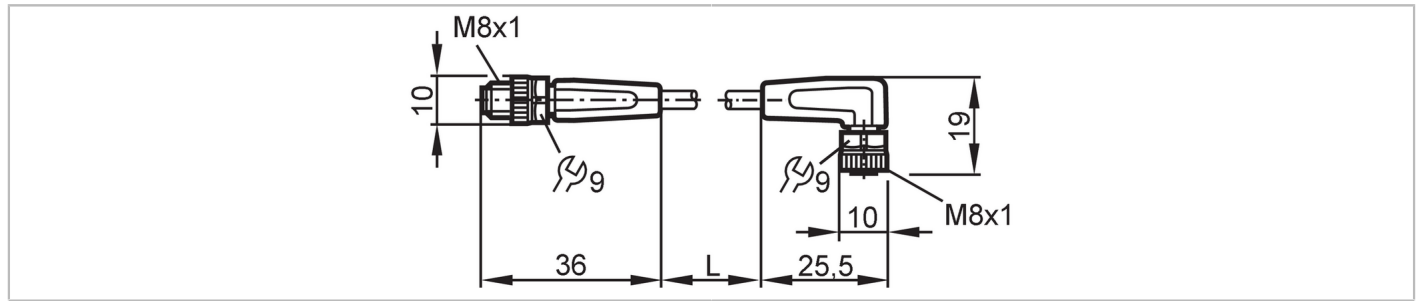


EVC279



Connection cable

VDOAF030MSS0005H03STGF030MSS



Application		
Special feature	Free from silicone; Halogen-free; gold-plated contacts; Drag chain suitability	
Application	Industrial applications; Oils and coolants	
Free from silicone	yes	
Electrical data		
Operating voltage [V]	< 50 AC / < 60 DC	
Protection class	III	
Max. current load total [A]	3	
Operating conditions		
Ambient temperature [°C]	-25...90	
Note on ambient temperature	cULus: ...80	
Ambient temperature (moving) [°C]	-25...90	
Note on ambient temperature (moving)	cULus: ...80	
Protection	IP 65; IP 67; IP 68; IP 69K	
Mechanical data		
Weight [g]	115	
Dimensions [mm]	10 x 10 x 36	
Molded-body material	TPU (urethane)	
Material nut	brass, nickel-plated	
Sealing material	FKM	
Drag chain suitability	yes	
Drag chain suitability	Bending radius for flexible applications	min. 10 x cable diameter
	Travel speed	max. 3.3 m/s for a horizontal travel length of 5 m and max. acceleration of 5 m/s ²
	Bending cycles	> 5 Mio.
	Torsional strain	± 180 °/m
Remarks		
Pack quantity	1 pcs.	

EVC279



Connection cable

VDOAF030MSS0005H03STGF030MSS

Electrical connection - plug

Connector: 1 x M8, straight; coding: A; Contacts: 3, gold-plated; Moulded body: TPU (urethane), orange; Locking: brass, nickel-plated; Tightening torque: 0.3...0.5 Nm



Electrical connection

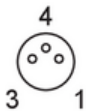
Cable: 5 m, PUR, Halogen-free, black, \varnothing 3.7 mm; 3 x 0.25 mm² (32 x \varnothing 0.1 mm)

Connection



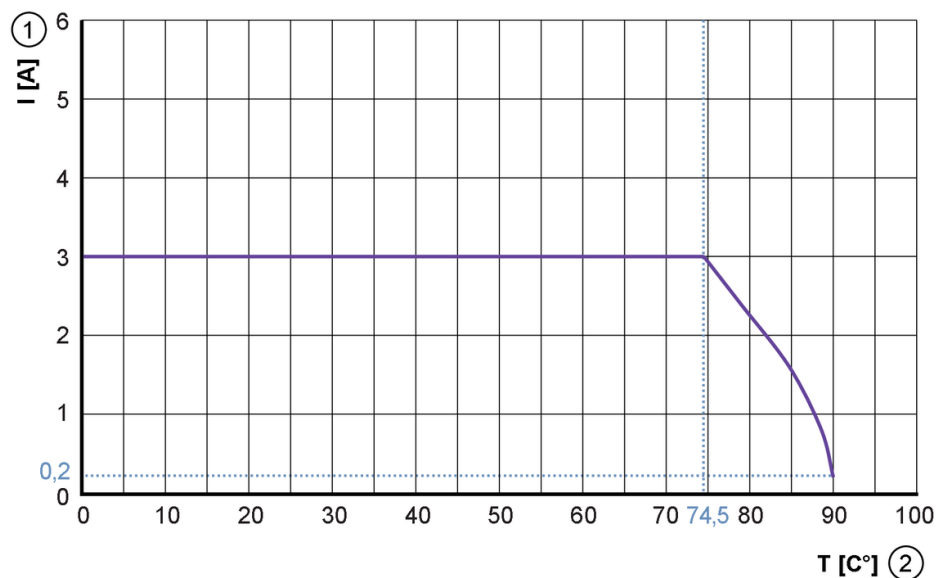
Electrical connection - Socket

Connector: 1 x M8, angled; coding: A; Contacts: 3, gold-plated; Moulded body: TPU (urethane), orange; Locking: brass, nickel-plated; sealing: FKM; Tightening torque: 0.3...0.5 Nm



Diagrams and graphs

Characteristic curve for derating



- 1 Current [A]
- 2 Ambient temperature [°C]