

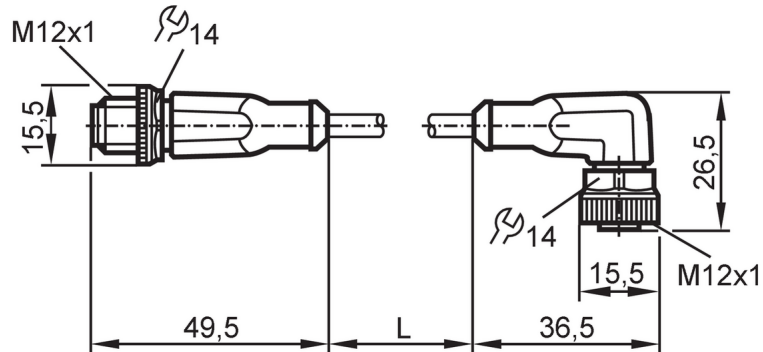
EVC192



Connection cable

VDOAH050MSS0003H05STGH050MSS

Please see the technical note under "Downloads"



Application

Special feature	Free from silicone; Halogen-free; gold-plated contacts; Drag chain suitability
Free from silicone	yes

Electrical data

Operating voltage	[V]	< 60 AC/DC
Protection class		II
Max. current load total	[A]	4
Overall current rating (UL)	[A]	3

Operating conditions

Ambient temperature	[°C]	-25...90
Note on ambient temperature		cULus: ...75
Ambient temperature (moving)	[°C]	-25...90
Note on ambient temperature (moving)		cULus: ...75
Storage temperature	[°C]	-25...55
Storage humidity	[%]	10...100
Other climatic conditions for storage according to stated class		1K22/ DIN 60721-3-1
Protection		IP 65; IP 67; IP 68; IP 69K

Mechanical data

Weight	[g]	137.2
Molded-body material		TPU (urethane)
Material nut		brass, nickel-plated
Sealing material		FKM
Drag chain suitability		yes
Drag chain suitability	Bending radius for flexible applications	min. 10 x cable diameter
	Travel speed	max. 3.3 m/s for a horizontal travel length of 5 m and max. acceleration of 5 m/s ²
	Bending cycles	> 5 Mio.
	Torsional strain	± 180 °/m



Connection cable

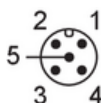
VDOAH050MSS0003H05STGH050MSS

Remarks

Notes	Please see the technical note under "Downloads"
Pack quantity	1 pcs.

Electrical connection - plug

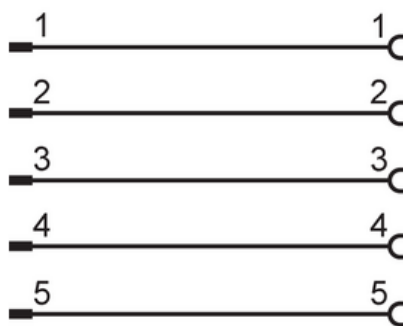
Connector: 1 x M12, straight; coding: A; Contacts: 5, gold-plated; Moulded body: TPU (urethane); Locking: brass, nickel-plated; Tightening torque: 0.6...1.5 Nm



Electrical connection

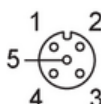
Cable: 3 m, PUR, Halogen-free, black, Ø 4.6 mm; 5 x 0.34 mm² (42 x Ø 0.1 mm)

Connection

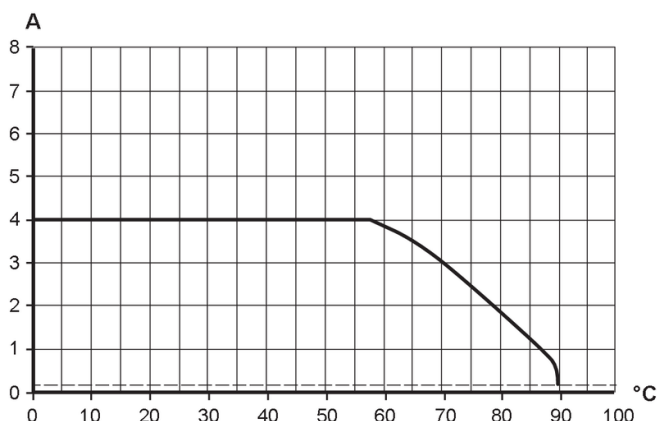


Electrical connection - Socket

Connector: 1 x M12, angled; coding: A; Contacts: 5, gold-plated; Moulded body: TPU (urethane); Locking: brass, nickel-plated; sealing: FKM; Tightening torque: 0.6...1.5 Nm



Diagrams and graphs



Derating I_{max} * 0.8 DIN EN 60512-5-2

X Ambient temperature [°C]

Y Current [A]