

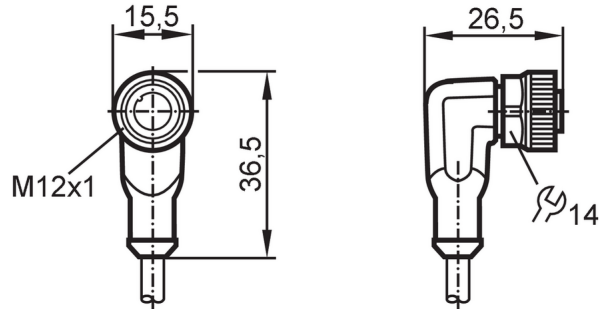
EVC158



Female cordset

ADOAH040MSS01,1H04

Please see the technical note under "Downloads"



Application									
Special feature	Free from silicone; Halogen-free; gold-plated contacts; Drag chain suitability								
Application	Industrial applications; Oils and coolants								
Free from silicone	yes								
Electrical data									
Operating voltage [V]	< 250 AC / < 300 DC								
Protection class	II								
Max. current load total [A]	4								
Operating conditions									
Ambient temperature [°C]	-25...90								
Note on ambient temperature	cULus: ...75								
Ambient temperature (moving) [°C]	-25...90								
Note on ambient temperature (moving)	cULus: ...75								
Storage temperature [°C]	-25...55								
Storage humidity [%]	10...100								
Other climatic conditions for storage according to stated class	1K22/ DIN 60721-3-1								
Protection	IP 65; IP 67; IP 68; IP 69K								
Mechanical data									
Weight [g]	57.8								
Dimensions [mm]	26.5 x 15.5 x 36.5								
Molded-body material	TPU (urethane)								
Material nut	brass, nickel-plated								
Sealing material	FKM								
Drag chain suitability	yes								
Drag chain suitability	<table border="1"> <tr> <td>Bending radius for flexible applications</td> <td>min. 10 x cable diameter</td> </tr> <tr> <td>Travel speed</td> <td>max. 3.3 m/s for a horizontal travel length of 5 m and max. acceleration of 5 m/s²</td> </tr> <tr> <td>Bending cycles</td> <td>> 5 Mio.</td> </tr> <tr> <td>Torsional strain</td> <td>± 180 °/m</td> </tr> </table>	Bending radius for flexible applications	min. 10 x cable diameter	Travel speed	max. 3.3 m/s for a horizontal travel length of 5 m and max. acceleration of 5 m/s ²	Bending cycles	> 5 Mio.	Torsional strain	± 180 °/m
Bending radius for flexible applications	min. 10 x cable diameter								
Travel speed	max. 3.3 m/s for a horizontal travel length of 5 m and max. acceleration of 5 m/s ²								
Bending cycles	> 5 Mio.								
Torsional strain	± 180 °/m								

EVC158



Female cordset

ADOAH040MSS01,1H04

Remarks

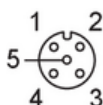
Notes	Please see the technical note under "Downloads"
Pack quantity	1 pcs.

Electrical connection

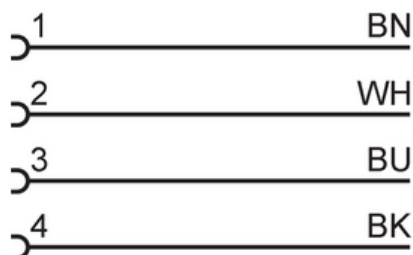
Cable: 1.1 m, PUR, Halogen-free, black, Ø 4.3 mm; 4 x 0.34 mm² (42 x Ø 0.1 mm)

Electrical connection - Socket

Connector: 1 x M12, angled; coding: A; Contacts: 4, gold-plated; Moulded body: TPU (urethane), orange; Locking: brass, nickel-plated; sealing: FKM; Tightening torque: 0.6...1.5 Nm



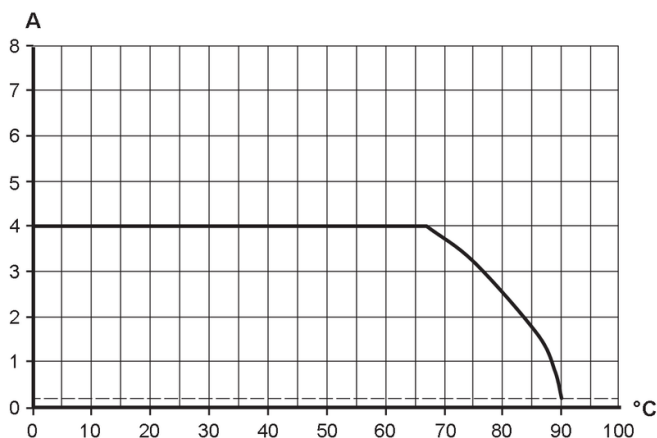
Connection



Core colors :
BK = black
BN = brown
BU = blue
WH = white

Diagrams and graphs

Characteristic curve for derating



Derating $I_{max} * 0.8$ (DIN EN 60512-5-2)

X Ambient temperature [°C]
Y Current [A]