

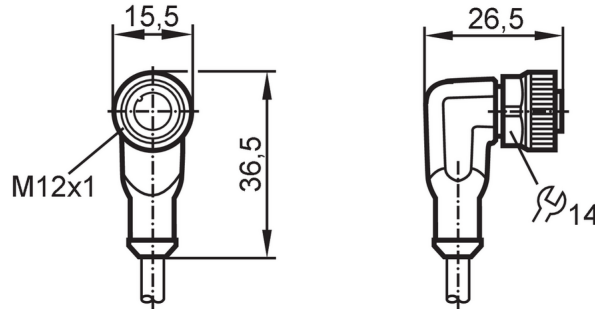
# EVC089



## Female cordset

ADOAH040MSS0006H04

Please see the technical note under "Downloads"



Application	
Special feature	Free from silicone; Halogen-free; gold-plated contacts; Drag chain suitability
Application	Industrial applications; Oils and coolants
Free from silicone	yes
Electrical data	
Operating voltage [V]	< 250 AC / < 300 DC
Protection class	II
Max. current load total [A]	4
Operating conditions	
Ambient temperature [°C]	-25...90
Note on ambient temperature	cULus: ...75
Ambient temperature (moving) [°C]	-25...90
Note on ambient temperature (moving)	cULus: ...75
Storage temperature [°C]	-25...55
Storage humidity [%]	10...100
Other climatic conditions for storage according to stated class	1K22/ DIN 60721-3-1
Protection	IP 65; IP 67; IP 68; IP 69K
Mechanical data	
Weight [g]	215.8
Dimensions [mm]	26.5 x 15.5 x 36.5
Molded-body material	TPU (urethane)
Material nut	brass, nickel-plated
Sealing material	FKM
Drag chain suitability	yes
Drag chain suitability	Bending radius for flexible applications min. 10 x cable diameter
	Travel speed max. 3.3 m/s for a horizontal travel length of 5 m and max. acceleration of 5 m/s <sup>2</sup>
	Bending cycles > 5 Mio.
	Torsional strain ± 180 °/m

# EVC089



## Female cordset

ADOAH040MSS0006H04

### Remarks

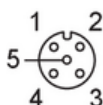
Notes	Please see the technical note under "Downloads"
Pack quantity	1 pcs.

### Electrical connection

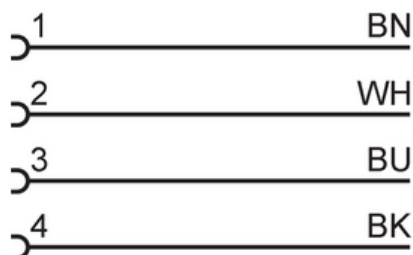
Cable: 6 m, PUR, Halogen-free, black, Ø 4.3 mm; 4 x 0.34 mm<sup>2</sup> (42 x Ø 0.1 mm)

### Electrical connection - Socket

Connector: 1 x M12, angled; coding: A; Contacts: 4, gold-plated; Moulded body: TPU (urethane), orange; Locking: brass, nickel-plated; sealing: FKM; Tightening torque: 0.6...1.5 Nm



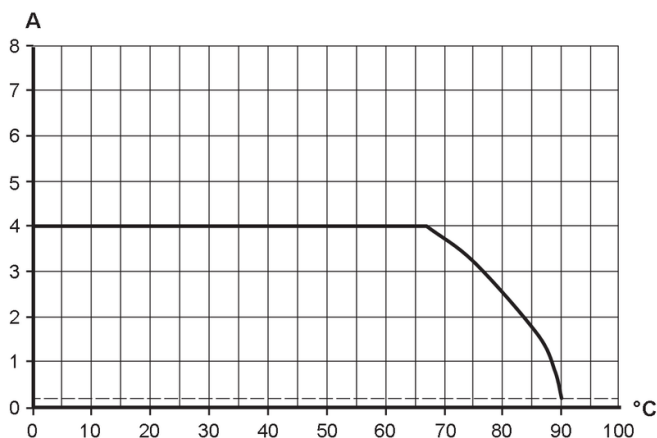
### Connection



Core colors :  
BK = black  
BN = brown  
BU = blue  
WH = white

### Diagrams and graphs

Characteristic curve for derating



Derating  $I_{max} * 0.8$  (DIN EN 60512-5-2)

X Ambient temperature [°C]  
Y Current [A]