

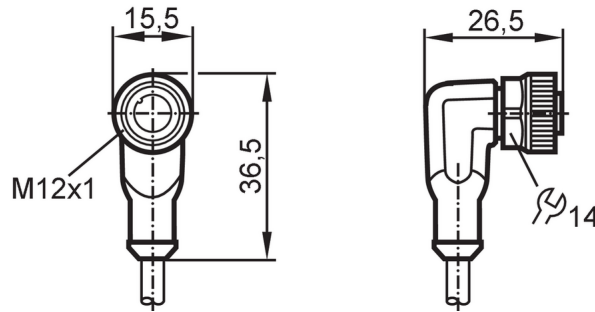
EVC01E



PNP / NPN inverter module

Converter PNP-NPN

Please see the technical note under "Downloads"



Application	
Special feature	Halogen-free; gold-plated contacts; Drag chain suitability
Compatible with paint	yes
Electrical data	
Operating voltage tolerance [%]	10
Operating voltage [V]	< 24 DC
Protection class	II
Max. current load total [A]	0.1
Outputs	
Max. voltage drop switching output DC [V]	2
Operating conditions	
Ambient temperature [°C]	-25...60
Ambient temperature (moving) [°C]	-25...60
Protection	IP 65; IP 67; IP 68; IP 69K
Tests / approvals	
MTTF [years]	17562
Mechanical data	
Weight [g]	154.9
Dimensions [mm]	26.5 x 15.5 x 36.5
Molded-body material	TPU (urethane)
Material nut	brass, nickel-plated
Sealing material	FKM
Drag chain suitability	yes
Drag chain suitability	Bending radius for flexible applications min. 10 x cable diameter
	Travel speed max. 3.3 m/s for a horizontal travel length of 5 m and max. acceleration of 5 m/s ²
	Bending cycles > 5 Mio.
	Torsional strain ± 180 °/m
Remarks	
Remarks	for sensors to IEC 60947-5-2 with normally open operation

EVC01E



PNP / NPN inverter module

Converter PNP-NPN

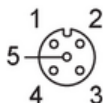
Notes	Please see the technical note under "Downloads"
Pack quantity	1 pcs.

Electrical connection

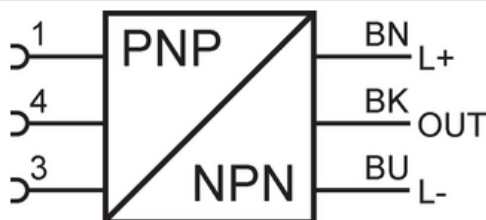
Cable: 5 m, PUR, Halogen-free, black, Ø 4.3 mm; 4 x 0.34 mm² (42 x Ø 0.1 mm)

Electrical connection - Socket

Connector: 1 x M12, angled; coding: A; Contacts: 4, gold-plated; Moulded body: TPU (urethane), black; Locking: brass, nickel-plated; sealing: FKM; Tightening torque: 0.6...1.5 Nm



Connection



Core colors :
BK = black
BN = brown
BU = blue
WH = white