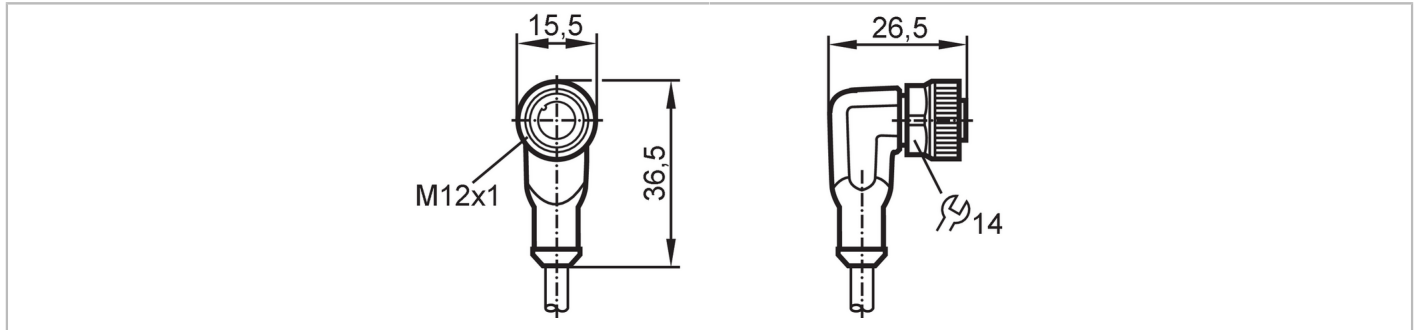


EVC856



Female cordset

ADOAH040MSS0003K04



Application		
Special feature	Free from silicone; Halogen-free; gold-plated contacts; screened cable; Drag chain suitability	
Application	Industrial applications; Oils and coolants	
Free from silicone	yes	
Electrical data		
Operating voltage [V]	< 50 AC / < 60 DC	
Protection class	III	
Max. current load total [A]	4	
Operating conditions		
Ambient temperature [°C]	-25...90	
Ambient temperature (moving) [°C]	-25...90	
Protection	IP 65; IP 67	
Mechanical data		
Weight [g]	138.5	
Dimensions [mm]	26.5 x 15.5 x 36.5	
Molded-body material	TPU (urethane)	
Material nut	brass, nickel-plated	
Sealing material	FKM	
Drag chain suitability	yes	
Drag chain suitability	Bending radius for flexible applications	min. 10 x cable diameter
	Travel speed	max. 3.3 m/s for a horizontal travel length of 5 m and max. acceleration of 5 m/s ²
	Bending cycles	≥ 2 Mio.
	Torsional strain	± 180 °/m
Remarks		
Pack quantity	1 pcs.	

EVC856



Female cordset

ADOAH040MSS0003K04

Electrical connection

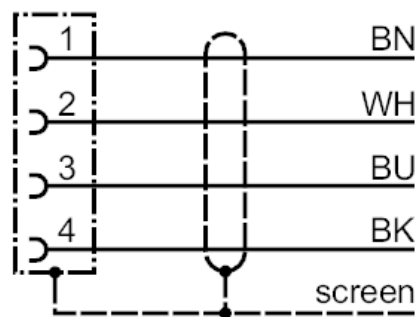
Cable: 3 m, PUR, Halogen-free, black, Ø 4.9 mm, screened; 4 x 0.34 mm² (42 x Ø 0.1 mm)

Electrical connection - Socket

Connector: 1 x M12, angled; coding: A; Contacts: 4, gold-plated; Moulded body: TPU (urethane), orange; Locking: brass, nickel-plated; sealing: FKM; Tightening torque: 0.6...1.5 Nm; Shielded connection cable: shield connected



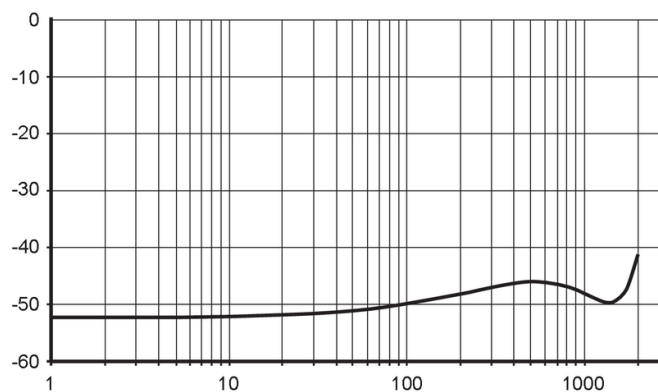
Connection



	Core colors :
BK =	black
BN =	brown
BU =	blue
WH =	white

Diagrams and graphs

Shielding characteristics

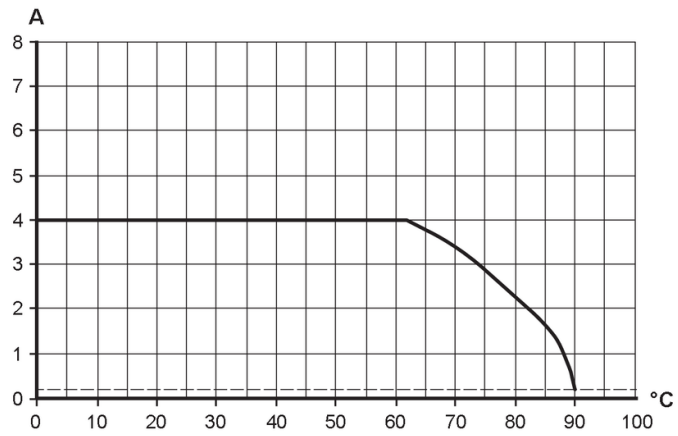


x Frequency (MHz)
y Shielding characteristics (dB)
according to DIN EN 60512-23-3

EVC856

Female cordset

ADOAH040MSS0003K04



Derating $I_{max} * 0.8$ DIN EN 60512-5-2

X Ambient temperature [°C]

Y Current [A]