

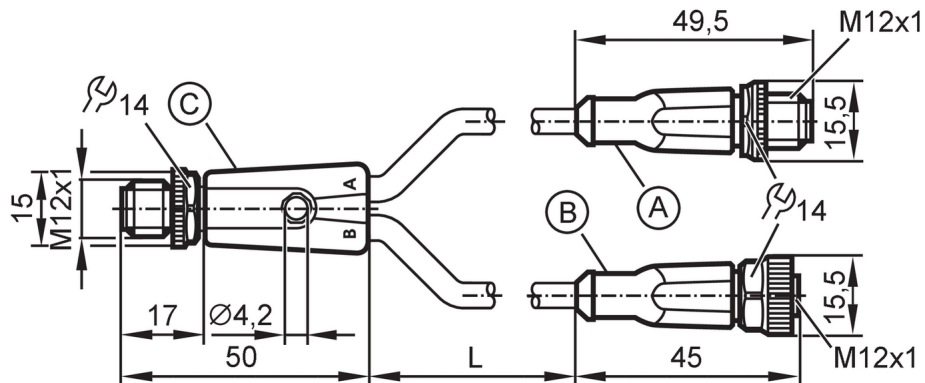
# EVC843



## Y connection cable

YSDGH050MSS0002H05STGH040MSS

Please see the technical note under "Downloads"



Application	
Special feature	Free from silicone; Halogen-free; gold-plated contacts; Drag chain suitability
Application	Industrial applications; Oils and coolants
Free from silicone	yes
Electrical data	
Operating voltage [V]	24 DC
Protection class	III
Max. current load total [A]	3
Operating conditions	
Ambient temperature [°C]	-25...90
Protection	IP 65; IP 67; IP 68; IP 69K
Mechanical data	
Weight [g]	183.1
Molded-body material	TPU (urethane) / TPU (urethane)
Material nut	brass, nickel-plated
Sealing material	Viton
Drag chain suitability	yes
Drag chain suitability	Bending radius for flexible applications min. 10 x cable diameter
	Travel speed max. 3.3 m/s for a horizontal travel length of 5 m and max. acceleration of 5 m/s <sup>2</sup>
	Bending cycles > 5 Mio.
	Torsional strain ± 180 °/m
Remarks	
Notes	Please see the technical note under "Downloads"
Pack quantity	1 pcs.

# EVC843



## Y connection cable

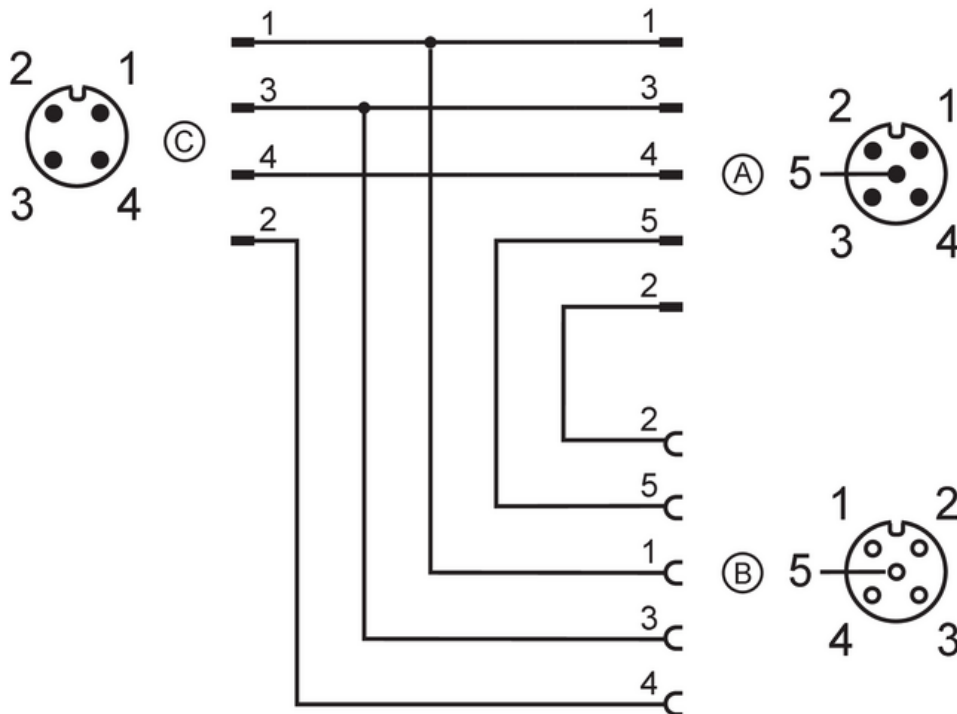
YSDGH050MSS0002H05STGH040MSS

### Electrical connection - plug C

Connector: M12, straight; coding: A; Contacts: 4, gold-plated; Moulded body: TPU (urethane), black; Locking: knurled nut, brass, nickel-plated; Tightening torque: 0.6...1.5 Nm; Take into account the maximum value of the counterpart!



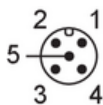
### Connection



### Electrical connection - plug A

Cable: 2 m, PUR, Halogen-free, black,  $\varnothing$  4.6 mm; 5 x 0.34 mm<sup>2</sup> (42 x  $\varnothing$  0.1 mm)

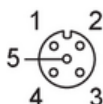
Connector: M12, straight; coding: A; Contacts: 5, gold-plated; Moulded body: TPU (urethane), black; Locking: knurled nut, brass, nickel-plated; Tightening torque: 0.6...1.5 Nm; Take into account the maximum value of the counterpart!



### Electrical connection - Socket B

Cable: 2 m, PUR, Halogen-free, black,  $\varnothing$  4.6 mm; 5 x 0.34 mm<sup>2</sup> (42 x  $\varnothing$  0.1 mm)

Connector: M12, straight; coding: A; Contacts: 5, gold-plated; Moulded body: TPU (urethane), black; Locking: knurled nut, brass, nickel-plated; sealing: Viton; Tightening torque: 0.6...1.5 Nm; Take into account the maximum value of the counterpart!



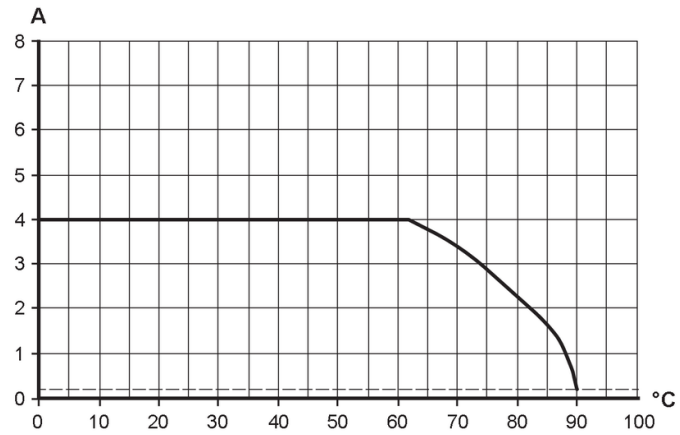
# EVC843



## Y connection cable

YSDGH050MSS0002H05STGH040MSS

### Diagrams and graphs



Derating  $I_{max} * 0.8$  DIN EN 60512-5-2

X Ambient temperature [°C]

Y Current [A]