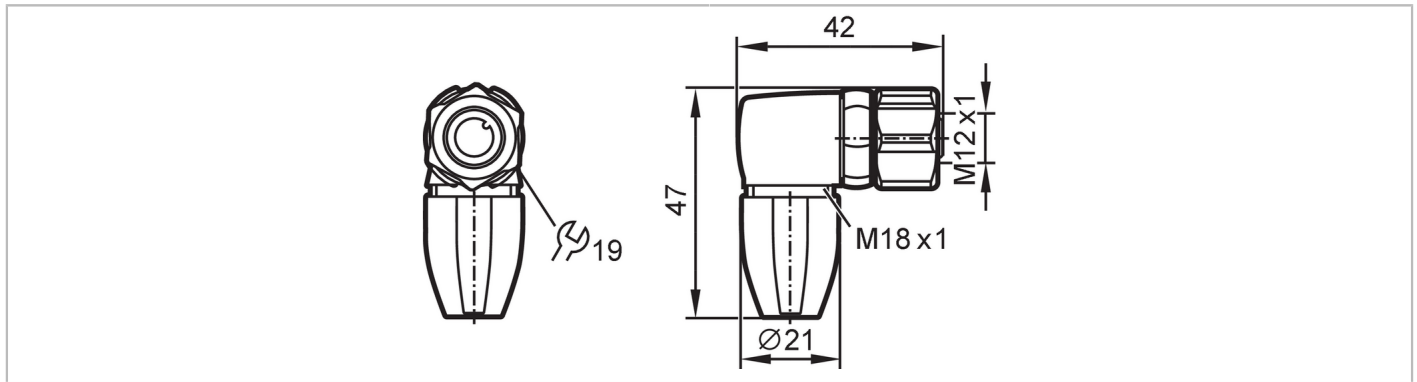


EVC815



Female wirable connectors

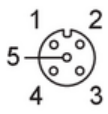
SDOAH050MSSFKPG



Application	
Special feature	Free from silicone; gold-plated contacts
Free from silicone	yes
Electrical data	
Operating voltage [V]	< 60 AC/DC
Protection class	II
Max. current load total [A]	4; (...40 °C)
Operating conditions	
Ambient temperature [°C]	-25...90
Storage temperature [°C]	-25...55
Storage humidity [%]	10...100
Other climatic conditions for storage according to stated class	1K22/ DIN 60721-3-1
Protection	IP 65; IP 67; IP 68; IP 69K
Mechanical data	
Weight [g]	43.6
Molded-body material	PA 6.6
Material nut	brass, nickel-plated
Sealing material	FKM
Remarks	
Pack quantity	1 pcs.

Electrical connection
 screw terminals: 0.25...1 mm²; Cable sheath: Ø 3.5...6 mm; AWG 23...17

Electrical connection - Socket
 Connector: 1 x M12, angled; coding: A; Contacts: 5, gold-plated; Moulded body: PA 6.6, orange; Locking: brass, nickel-plated; sealing: FKM; Tightening torque: 0.6...1.2 Nm; Take into account the maximum value of the counterpart!



EVC815



Female wirable connectors

SDOAH050MSSFKPG

Connection

