

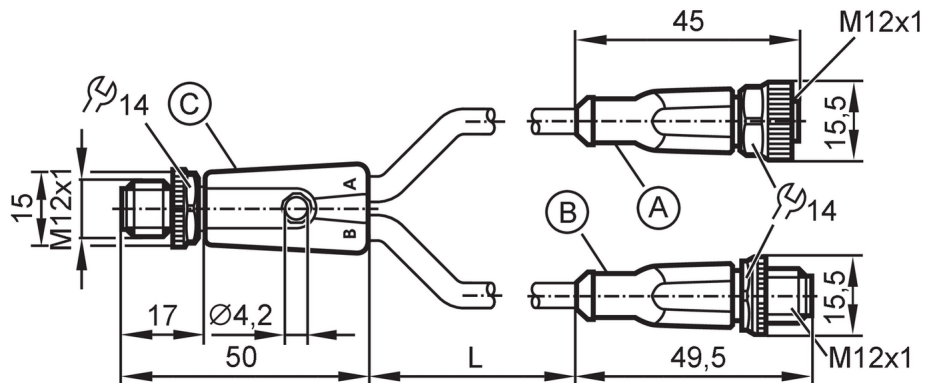
# EVC693



## Y connection cable

YDSGHDA0MSS0001HDASTGH030MSS

Please see the technical note under "Downloads"



Application									
Special feature	Free from silicone; Halogen-free; gold-plated contacts; Drag chain suitability								
Free from silicone	yes								
Electrical data									
Operating voltage [V]	< 24 DC								
Protection class	III								
Max. current load total [A]	4								
Operating conditions									
Ambient temperature [°C]	-25...90								
Protection	IP 65; IP 67; IP 68; IP 69K								
Mechanical data									
Weight [g]	114.21								
Molded-body material	TPU (urethane) / TPU (urethane)								
Material nut	brass, nickel-plated								
Sealing material	FKM								
Connector type	M12								
Drag chain suitability	yes								
Drag chain suitability	<table border="1"> <tr> <td>Bending radius for flexible applications</td> <td>min. 10 x cable diameter</td> </tr> <tr> <td>Travel speed</td> <td>max. 3.3 m/s for a horizontal travel length of 5 m and max. acceleration of 5 m/s<sup>2</sup></td> </tr> <tr> <td>Bending cycles</td> <td>&gt; 5 Mio.</td> </tr> <tr> <td>Torsional strain</td> <td>± 180 °/m</td> </tr> </table>	Bending radius for flexible applications	min. 10 x cable diameter	Travel speed	max. 3.3 m/s for a horizontal travel length of 5 m and max. acceleration of 5 m/s <sup>2</sup>	Bending cycles	> 5 Mio.	Torsional strain	± 180 °/m
Bending radius for flexible applications	min. 10 x cable diameter								
Travel speed	max. 3.3 m/s for a horizontal travel length of 5 m and max. acceleration of 5 m/s <sup>2</sup>								
Bending cycles	> 5 Mio.								
Torsional strain	± 180 °/m								
Remarks									
Notes	Please see the technical note under "Downloads"								
Pack quantity	1 pcs.								

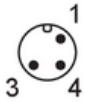


## Y connection cable

YDSGHDA0MSS0001HDASTGH030MSS

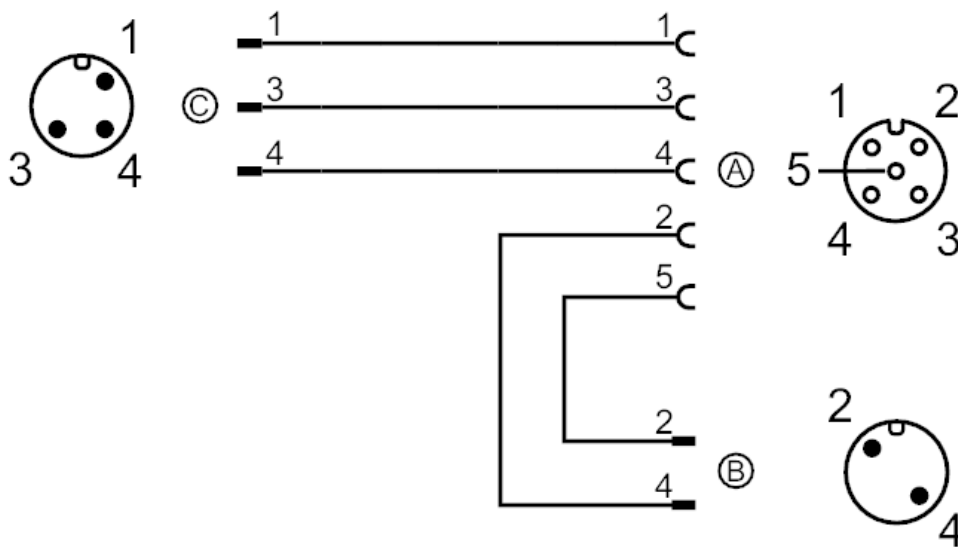
### Electrical connection - plug C

Connector: M12, straight; coding: A; Contacts: 3, gold-plated; Moulded body: TPU (urethane), orange; Locking: knurled nut, brass, nickel-plated; Tightening torque: 0.6...1.5 Nm; Take into account the maximum value of the counterpart!



### Electrical connection

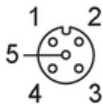
#### Connection



### Electrical connection - Socket A

Cable: 1 m, PUR, Halogen-free, black,  $\varnothing$  4.6 mm; 5 x 0.34 mm<sup>2</sup> (42 x  $\varnothing$  0.1 mm )

Connector: M12, straight; coding: A; Contacts: 5, gold-plated; Moulded body: TPU (urethane), orange; Locking: knurled nut, brass, nickel-plated; sealing: FKM; Tightening torque: 0.6...1.5 Nm; Take into account the maximum value of the counterpart!



### Electrical connection - plug B

Cable: 1 m, PUR, Halogen-free, black,  $\varnothing$  4.9 mm; 2 x 0.34 mm<sup>2</sup> (42 x  $\varnothing$  0.1 mm )

Connector: M12, straight; coding: A; Contacts: 2, gold-plated; Moulded body: TPU (urethane), orange; Locking: knurled nut, brass, nickel-plated; Tightening torque: 0.6...1.5 Nm; Take into account the maximum value of the counterpart!



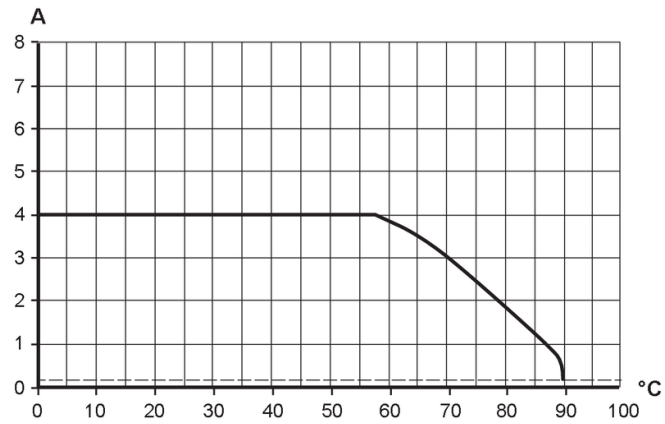
# EVC693



## Y connection cable

YDSGHDA0MSS0001HDASTGH030MSS

### Diagrams and graphs



Derating  $I_{max} * 0.8$  DIN EN 60512-5-2

X Ambient temperature [°C]

Y Current [A]