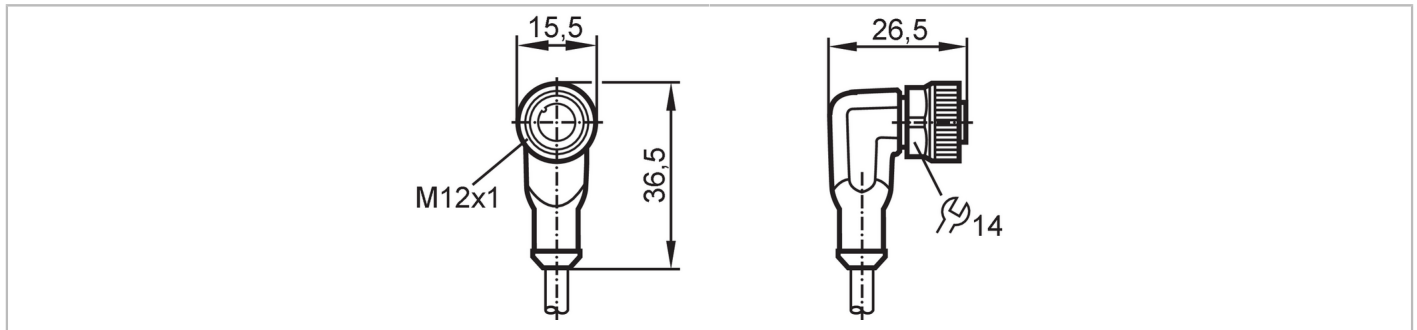


# EVC597



## Female cordset

ADOAH040MSS0020C04



| Application                          |                                                                                                |                                                                                                |
|--------------------------------------|------------------------------------------------------------------------------------------------|------------------------------------------------------------------------------------------------|
| Special feature                      | Free from silicone; Halogen-free; gold-plated contacts; screened cable; Drag chain suitability |                                                                                                |
| Application                          | Industrial applications; Oils and coolants                                                     |                                                                                                |
| Free from silicone                   | yes                                                                                            |                                                                                                |
| Electrical data                      |                                                                                                |                                                                                                |
| Operating voltage [V]                | < 50 AC / < 60 DC                                                                              |                                                                                                |
| Protection class                     | III                                                                                            |                                                                                                |
| Max. current load total [A]          | 4                                                                                              |                                                                                                |
| Operating conditions                 |                                                                                                |                                                                                                |
| Ambient temperature [°C]             | -25...90                                                                                       |                                                                                                |
| Note on ambient temperature          | cULus: ...75                                                                                   |                                                                                                |
| Ambient temperature (moving) [°C]    | -25...90                                                                                       |                                                                                                |
| Note on ambient temperature (moving) | cULus: ...75                                                                                   |                                                                                                |
| Protection                           | IP 65; IP 67; IP 68; IP 69K                                                                    |                                                                                                |
| Mechanical data                      |                                                                                                |                                                                                                |
| Weight [g]                           | 793                                                                                            |                                                                                                |
| Dimensions [mm]                      | 26.5 x 15.5 x 36.5                                                                             |                                                                                                |
| Molded-body material                 | TPU (urethane)                                                                                 |                                                                                                |
| Material nut                         | brass, nickel-plated                                                                           |                                                                                                |
| Sealing material                     | FKM                                                                                            |                                                                                                |
| Drag chain suitability               | yes                                                                                            |                                                                                                |
| Drag chain suitability               | Bending radius for flexible applications                                                       | min. 10 x cable diameter                                                                       |
|                                      | Travel speed                                                                                   | max. 3.3 m/s for a horizontal travel length of 5 m and max. acceleration of 5 m/s <sup>2</sup> |
|                                      | Bending cycles                                                                                 | ≥ 2 Mio.                                                                                       |
|                                      | Torsional strain                                                                               | ± 180 °/m                                                                                      |
| Remarks                              |                                                                                                |                                                                                                |
| Pack quantity                        | 1 pcs.                                                                                         |                                                                                                |

# EVC597



## Female cordset

ADOAH040MSS0020C04

### Electrical connection

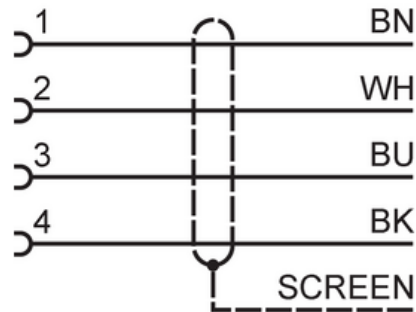
Cable: 20 m, PUR, Halogen-free, black, Ø 4.9 mm, screened; 4 x 0.34 mm<sup>2</sup> (42 x Ø 0.1 mm )

### Electrical connection - Socket

Connector: 1 x M12, angled; coding: A; Contacts: 4, gold-plated; Moulded body: TPU (urethane), orange; Locking: brass, nickel-plated; sealing: FKM; Tightening torque: 0.6...1.5 Nm; Shielded connection cable: shield not connected



### Connection



Core colors :  
BK = black  
BN = brown  
BU = blue  
WH = white