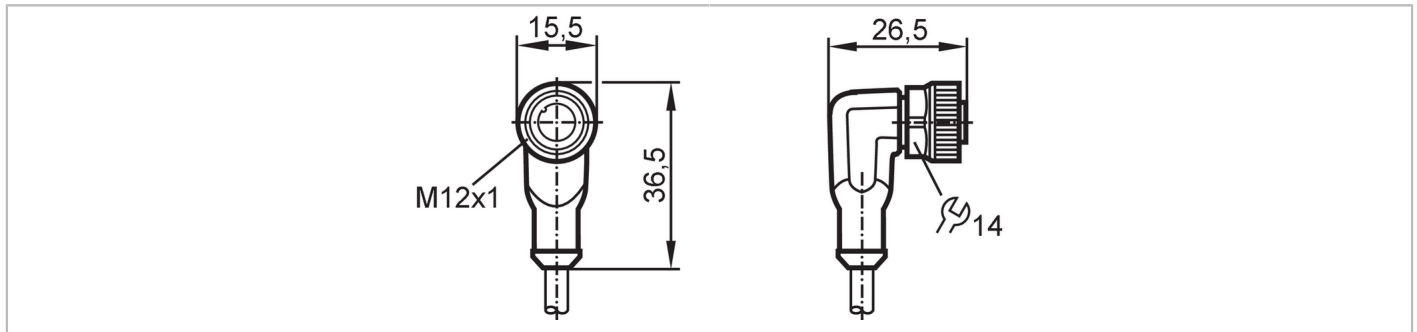


# EVC542



## Female cordset

ADOAH040MSS0005K04



| Application                          |  |  |
|--------------------------------------|--|--|
| Special feature                      | Free from silicone; Halogen-free; gold-plated contacts; screened cable; Drag chain suitability |  |
| Application                          | Industrial applications; Oils and coolants   |  |
| Free from silicone                   | yes  |  |
| Electrical data                      |  |  |
| Operating voltage [V]                | < 50 AC / < 60 DC  |  |
| Protection class                     | III  |  |
| Max. current load total [A]          | 4  |  |
| Operating conditions                 |  |  |
| Ambient temperature [°C]             | -25...90   |  |
| Note on ambient temperature          | cULus: ...75   |  |
| Ambient temperature (moving) [°C]    | -25...90   |  |
| Note on ambient temperature (moving) | cULus: ...75   |  |
| Protection                           | IP 65; IP 67   |  |
| Mechanical data                      |  |  |
| Weight [g]                           | 211.5  |  |
| Dimensions [mm]                      | 26.5 x 15.5 x 36.5   |  |
| Molded-body material                 | TPU (urethane)   |  |
| Material nut                         | brass, nickel-plated   |  |
| Sealing material                     | FKM  |  |
| Drag chain suitability               | yes  |  |
| Drag chain suitability               | Bending radius for flexible applications   | min. 10 x cable diameter   |
|                                      | Travel speed   | max. 3.3 m/s for a horizontal travel length of 5 m and max. acceleration of 5 m/s <sup>2</sup> |
|                                      | Bending cycles   | ≥ 2 Mio.   |
|                                      | Torsional strain   | ± 180 °/m  |
| Remarks                              |  |  |
| Pack quantity                        | 1 pcs.   |  |

# EVC542



## Female cordset

ADOAH040MSS0005K04

### Electrical connection

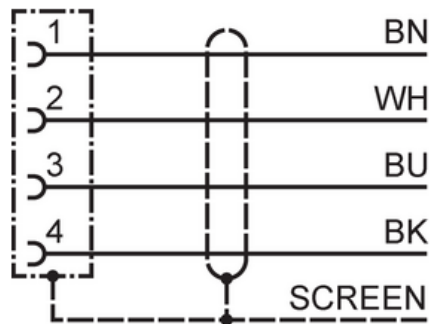
Cable: 5 m, PUR, Halogen-free, black, Ø 4.9 mm, screened; 4 x 0.34 mm<sup>2</sup> (42 x Ø 0.1 mm )

### Electrical connection - Socket

Connector: 1 x M12, angled; coding: A; Contacts: 4, gold-plated; Moulded body: TPU (urethane), orange; Locking: brass, nickel-plated; sealing: FKM; Tightening torque: 0.6...1.5 Nm; Shielded connection cable: shield connected



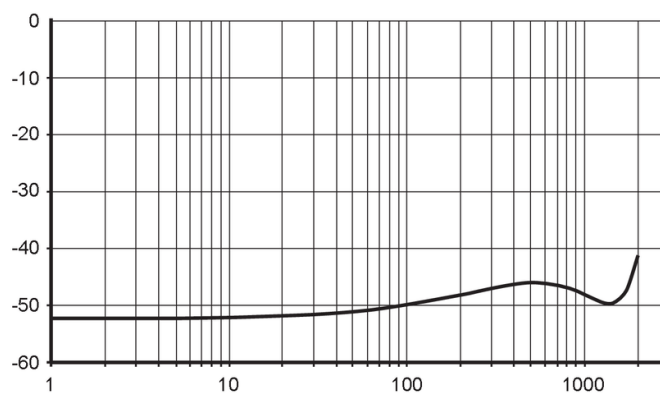
### Connection



Core colors :  
BK = black  
BN = brown  
BU = blue  
WH = white

### Diagrams and graphs

#### Shielding characteristics

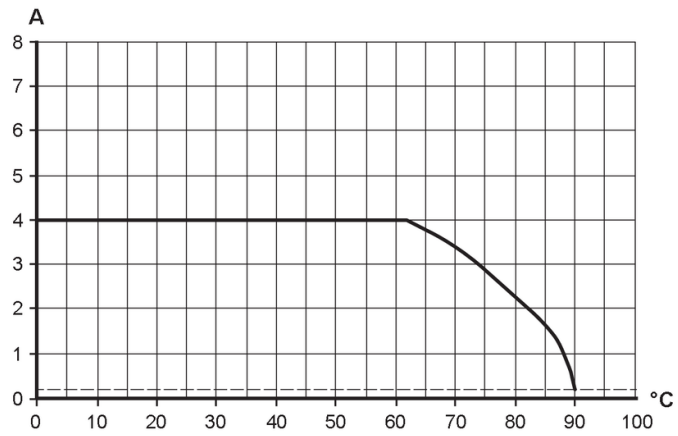


x Frequency (MHz)  
y Shielding characteristics (dB)  
according to DIN EN 60512-23-3

# EVC542

## Female cordset

ADOAH040MSS0005K04



Derating  $I_{max} * 0.8$  DIN EN 60512-5-2

X Ambient temperature [°C]

Y Current [A]