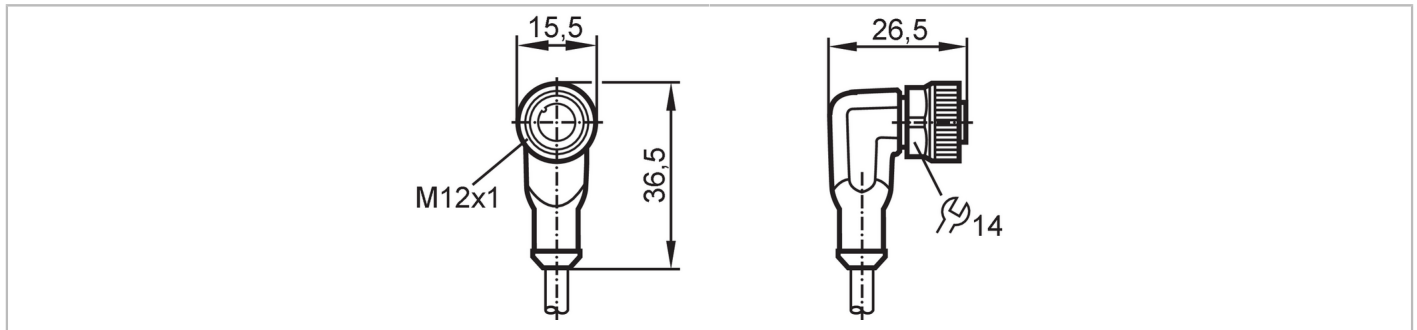


# EVC536



## Female cordset

ADOAH050MSS0005C05



Application	
Special feature	Free from silicone; Halogen-free; gold-plated contacts; screened cable; Drag chain suitability
Application	Industrial applications; Oils and coolants
Free from silicone	yes
Electrical data	
Operating voltage [V]	< 30 AC / < 36 DC
Protection class	III
Max. current load total [A]	4
Overall current rating (UL) [A]	3
Operating conditions	
Ambient temperature [°C]	-25...90
Note on ambient temperature	cULus: ...75 °C
Ambient temperature (moving) [°C]	-25...90
Note on ambient temperature (moving)	cULus: ...75 °C
Protection	IP 65; IP 67; IP 68; IP 69K
Mechanical data	
Weight [g]	208.1
Dimensions [mm]	26.5 x 15.5 x 36.5
Molded-body material	TPU (urethane)
Material nut	brass, nickel-plated
Sealing material	FKM
Drag chain suitability	yes
Drag chain suitability	Bending radius for flexible applications min. 10 x cable diameter
	Travel speed max. 3.3 m/s for a horizontal travel length of 5 m and max. acceleration of 5 m/s <sup>2</sup>
	Bending cycles ≥ 2 Mio.
	Torsional strain ± 180 °/m
Remarks	
Pack quantity	1 pcs.

# EVC536



## Female cordset

ADOAH050MSS0005C05

### Electrical connection

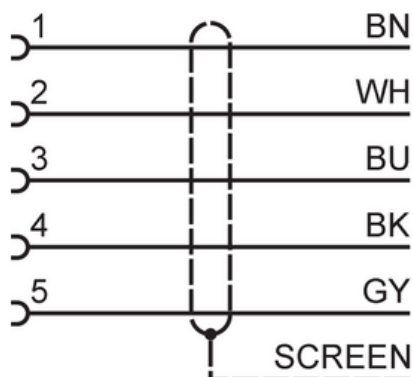
Cable: 5 m, PUR, Halogen-free, black, Ø 4.9 mm, screened; 5 x 0.25 mm<sup>2</sup> (32 x Ø 0.1 mm )

### Electrical connection - Socket

Connector: 1 x M12, angled; coding: A; Contacts: 5, gold-plated; Moulded body: TPU (urethane), orange; Locking: brass, nickel-plated; sealing: FKM; Tightening torque: 0.6...1.5 Nm; Shielded connection cable: shield not connected



### Connection



	Core colors :
BK =	black
BN =	brown
BU =	blue
GY =	grey
WH =	white