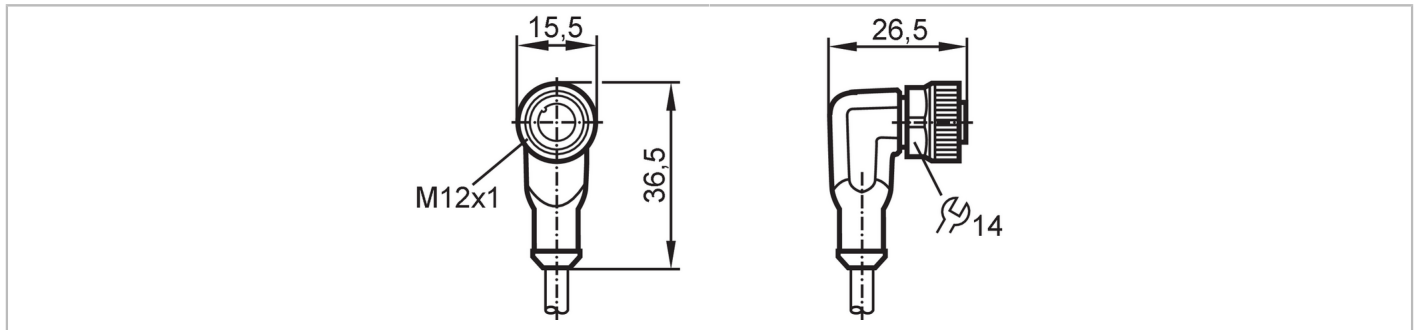


ENC13A



Female cordset

ADOAH050MSN0025H05/1G/1D



Application	
Special feature	Free from silicone; Halogen-free; gold-plated contacts
Free from silicone	yes
Compatible with paint	yes
Electrical data	
Operating voltage [V]	< 30 DC
Protection class	II
Max. input power [mW]	group II: 1000; group III: 1000
Max. current load total [A]	1
Operating conditions	
Ambient temperature [°C]	-25...85
Note on ambient temperature	for use in hazardous areas: ambient temperature according to unit marking
Protection	IP 67; (when used outside the hazardous area: IP 68 / IP 69K)
Tests / approvals	
Approval	BVS 11 ATEX E 009 X; IECEx BVS 11.0002 X
ATEX marking	Ex II 1G Ex ia IIB T6 Ga Ta: -25...75°C
	Ex II 2G Ex ia IIC T6 Gb Ta: -25...75°C
	Ex II 1G Ex ia IIB T5 Ga Ta: -25...85°C
	Ex II 2G Ex ia IIC T5 Gb Ta: -25...85°C
	Ex II 1D Ex ia IIIB T200 85°C Da Ta: -25...75°C
	Ex II 1D Ex ia IIIB T200 95°C Da Ta: -25...85°C
	Ex II 1D Ex ia IIIC T200 70°C Da Ta: -20...60°C
Safety classification	
Max. internal capacitance [nF]	2.5
Max. internal inductance [µH]	50
Mechanical data	
Weight [g]	878
Dimensions [mm]	26.5 x 15.5 x 36.5
Molded-body material	TPU (urethane)
Material nut	brass, nickel-plated
Sealing material	FKM

ENC13A



Female cordset

ADOAH050MSN0025H05/1G/1D

Remarks

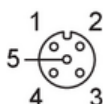
Remarks	Special conditions for safe operation apply for use in hazardous areas. Observe the corresponding notes in the operating instructions (Ex protection related part).
Pack quantity	1 pcs.

Electrical connection

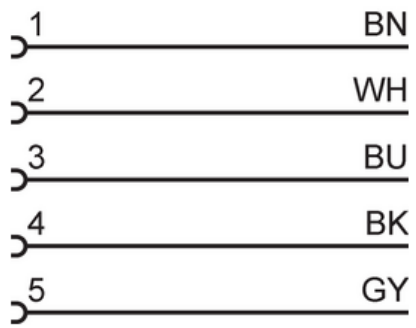
Cable: 25 m, PUR, Halogen-free, blue, Ø 4.9 mm; 5 x 0.34 mm² (42 x Ø 0.1 mm)

Electrical connection - Socket

Connector: 1 x M12, angled; coding: A; Contacts: 5, gold-plated; Moulded body: TPU (urethane), orange; Locking: brass, nickel-plated; sealing: FKM; Tightening torque: 0.6...1.5 Nm



Connection



Core colors :
BK = black
BN = brown
BU = blue
GY = grey
WH = white