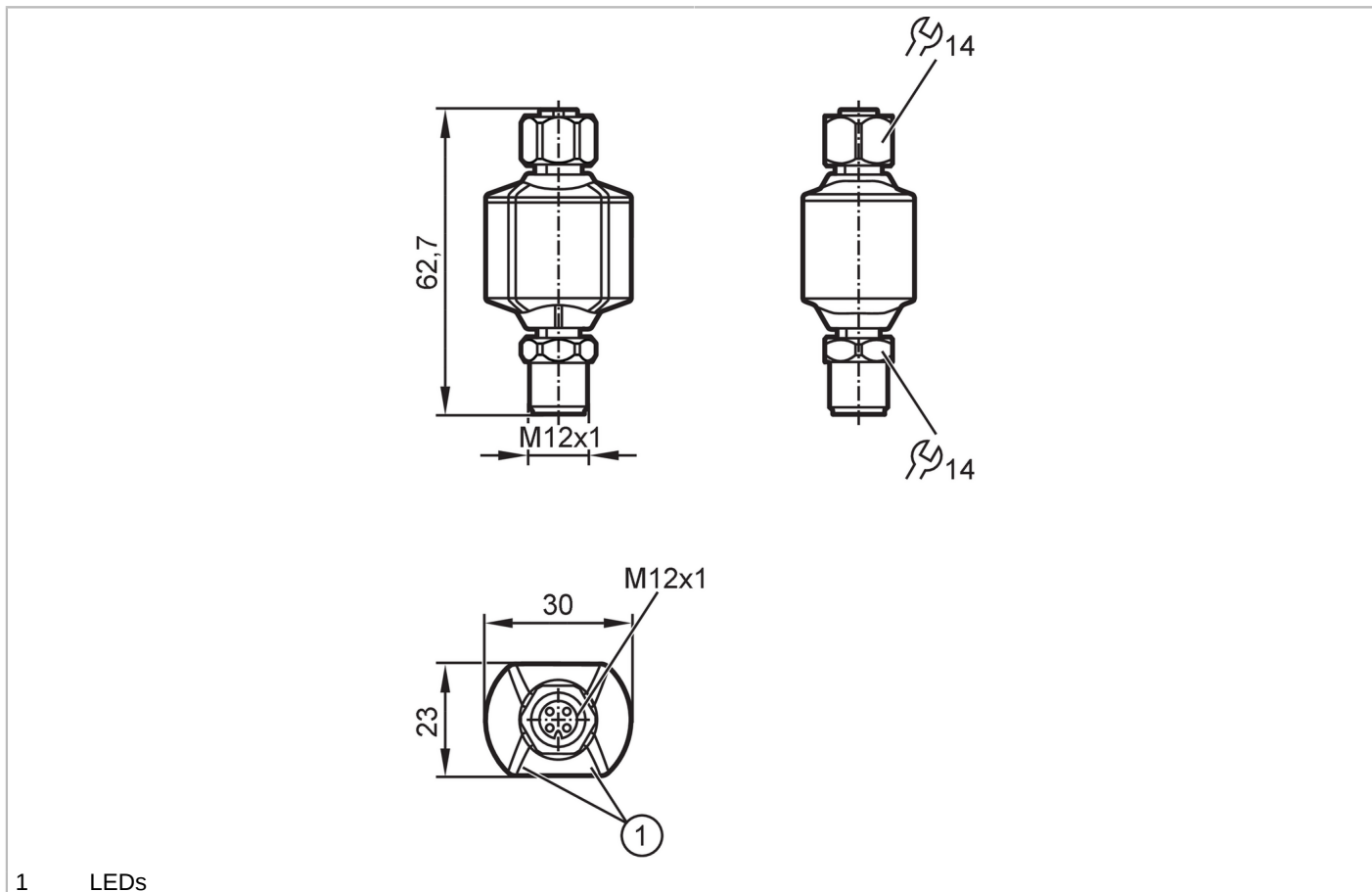


# EIO344



## Bluetooth mesh IO-Link adapter

BLUETOOTH MESH IO-LINK ADAPTER



1 LEDs



Product characteristics	
Number of inputs and outputs	Number of digital outputs: 1
Application	
Special feature	gold-plated contacts
Radio approval for	EU/RED; Great Britain; USA; Canada; Japan; Namibia; Singapore; Australia; India; Vietnam; New Zealand; Indonesia; Malaysia; Thailand; Ukraine; Taiwan; Argentina; Chile; South Korea; South Africa; Mexico; China; Brazil
Note on radio approval	The list of countries applying the European Radio Equipment Directive 2014/53/EU (RED) can be found under "Downloads".
Electrical data	
Operating voltage [V]	18...30 DC; (limitation due to ES1 and PS2)
Nominal voltage DC [V]	24
Current consumption [mA]	< 20
Protection class	III
Reverse polarity protection	yes; (supply side)
Max. current load total [A]	0.83
Inputs / outputs	
Number of inputs and outputs	Number of digital outputs: 1
Outputs	
Output signal	switching signal; IO-Link



## Bluetooth mesh IO-Link adapter

## BLUETOOTH MESH IO-LINK ADAPTER

Electrical design	PNP
Number of digital outputs	1
Output function	normally open / closed
Max. voltage drop switching output DC [V]	2.5
Permanent current rating of switching output DC [mA]	200
Type of short-circuit protection	yes (non-latching)
Short-circuit proof	yes
Overload protection	yes

## Interfaces

Communication interface	IO-Link; Bluetooth	
Supported DeviceIDs	<b>Type of operation</b>	<b>DeviceID</b>
	IO-Link Device	1591

## Bluetooth

Transmission standard	BLE 5.0
Frequency band	2,4 GHz
Transmission power [mW]	10; (10 dBm)
Range	typ. 20 m

## IO-Link Device

Transmission type	COM2 (38,4 kBaud)	
IO-Link revision	1.0; 1.1	
SDCI standard	IEC 61131-9	
Profiles	Common - I&D	Identification and Diagnosis
Required master port class	A	
Min. process cycle time [ms]	4.4	

## IO-Link Master

Number of ports	1
Unterstützte IO-Link Revision	1.1
Transmission type	COM1 (4,8 kBaud); COM2 (38,4 kBaud); COM3 (230,4 kBaud)
SDCI standard	IEC 61131-9

## Operating conditions

Ambient temperature [°C]	-25...60
Storage temperature [°C]	-25...70
Protection	IP 67; IP 69K

## Tests / approvals

EMC	DIN EN 61000-6-2	
	DIN EN 61000-6-3	
Shock resistance	DIN EN 60068-2-27	15 g (6 ms)
Vibration resistance	DIN EN 60068-2-6	2 g (10...150 Hz)
MTTF [years]	218	
UL approval	File number UL	E537924

## Mechanical data

Weight [g]	92.2
------------	------

# EIO344



## Bluetooth mesh IO-Link adapter

BLUETOOTH MESH IO-LINK ADAPTER

Material	PA; stainless steel (1.4404 / 316L); FKM
----------	--

### Displays / operating elements

Display	Power	LED, green
	warning / fault	LED, red
	Bluetooth	LED, blue

### Remarks

Pack quantity	1 pcs.
---------------	--------

### Electrical connection - plug

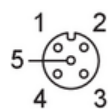
Connector: 1 x M12; coding: A; Contacts: gold-plated



- 1 L+ supply
- 2 OUT2 linked through
- 3 L- supply
- 4 OUT1 switching output or IO-Link

### Electrical connection - Socket

Connector: 1 x M12; coding: A; Contacts: gold-plated



- 1 L+ supply
- 2 OUT2 linked through
- 3 L- supply
- 4 IO-Link
- 5 not used



## Bluetooth mesh IO-Link adapter

BLUETOOTH MESH IO-LINK ADAPTER

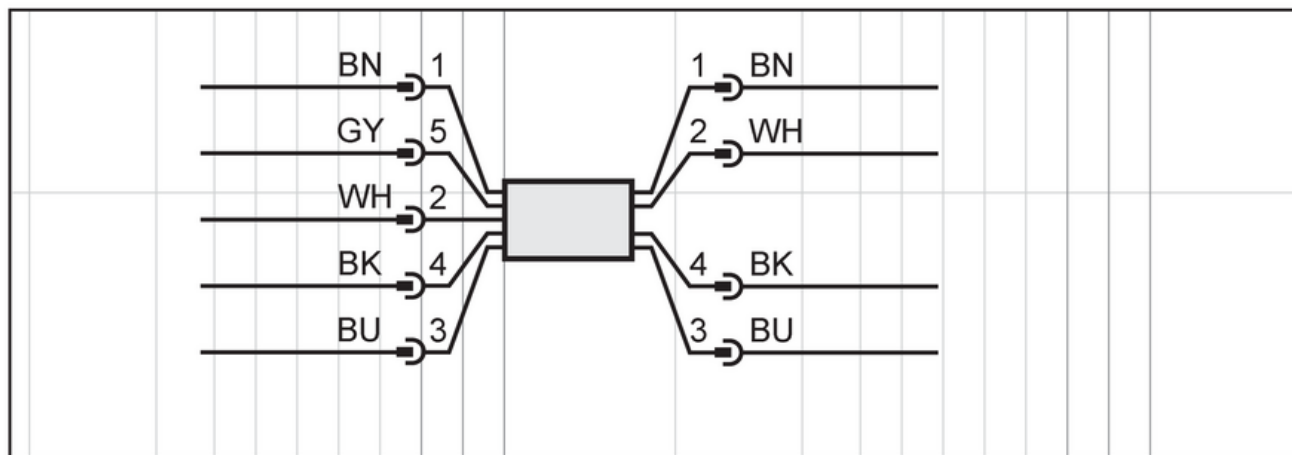
### Electrical connection

#### Connection

AN\_i\_1895\_G

Original Scale Drawing (MTD)

\_G = Groß



↓ 32% ↑ 312,5%

EPS Source  
Product Scale Drawing  
Frame Size: 75 mm x 26 mm

