

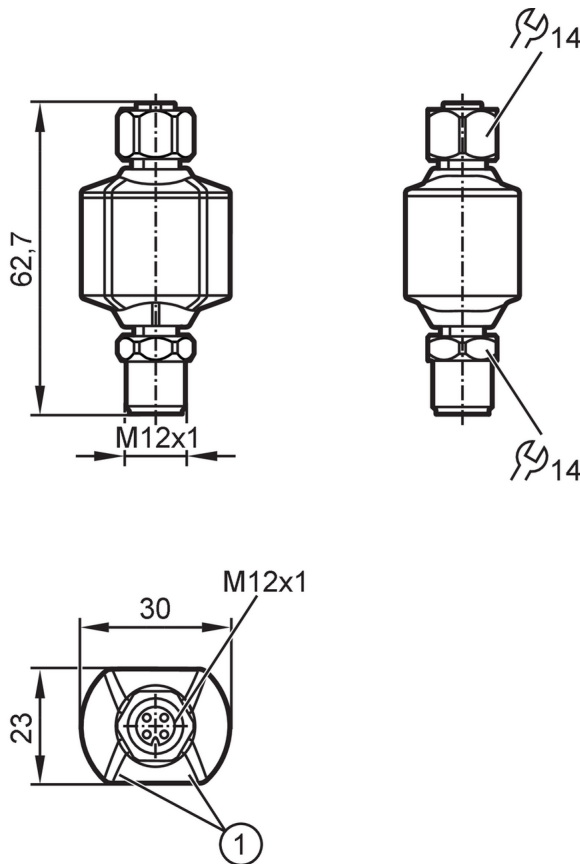
EIO104



IO-Link master / converter - 4...20 mA

IO-LINK/4-20mA MASTERCONVERTER

This converter only works in combination with appropriately specified ifm sensors (see device catalog under "Downloads")



1 LEDs



Product characteristics

Number of inputs and outputs: 2 Number of analog outputs: 2

Application

Design: integrated IO-Link master

Electrical data

Operating voltage [V]	18...30 DC; (to SELV/PELV)
Nominal voltage DC [V]	24
Current consumption [mA]	< 30
Max. current load total [A]	0.83

Inputs / outputs

Number of inputs and outputs: 2 Number of analog outputs: 2

Outputs

Number of analog outputs	2
Analog current output [mA]	4...20
Max. load [Ω]	500
Precision analog output [%]	0,25

EIO104



IO-Link master / converter - 4...20 mA

IO-LINK/4-20mA MASTERCONVERTER

Interfaces		
Communication interface	IO-Link	
Supported DeviceIDs	Type of operation	DeviceID
	IO-Link Device	1398
IO-Link Device		
Transmission type	COM2 (38,4 kBaud)	
Profiles	Common - I&D	Identification and Diagnosis
Min. process cycle time [ms]	4.2	
IO-Link Master		
Transmission type	COM1 (4,8 kBaud); COM2 (38,4 kBaud); COM3 (230,4 kBaud)	
IO-Link revision	1.1	
Number of ports class A	1	
Operating conditions		
Ambient temperature [°C]	-25...60	
Storage temperature [°C]	-40...70	
Max. relative air humidity [%]	90; (linearly decreasing to 50 % (40 °C) non condensing)	
Protection	IP 67; IP 69K	
Tests / approvals		
MTTF [years]	254	
UL approval	Ta	max. 55 °C
	Enclosure type	Type 1
	voltage supply	Low Voltage / Limited Energy
	File number UL	E205959
Mechanical data		
Weight [g]	91.45	
Housing	rectangular	
Dimensions [mm]	62.7 x 30 x 23	
Material	PA; stainless steel (1.4404 / 316L); FKM	
Displays / operating elements		
Display	status	1 x LED, red
	Power	1 x LED, green
Remarks		
Remarks	Further information is available in the manual. the device complies with overvoltage category II	
Notes	This converter only works in combination with appropriately specified ifm sensors (see device catalog under "Downloads")	
Pack quantity	1 pcs.	

EIO104

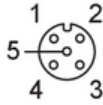


IO-Link master / converter - 4...20 mA

IO-LINK/4-20mA MASTERCONVERTER

Electrical connection - Socket

Connector: 1 x M12; coding: A; Contacts: 3



1	L+
2	not used
3	L-
4	IO-Link
5	not used

Electrical connection - plug

Connector: 1 x M12; coding: A; Contacts: 4



1	L+
2	analog output 4...20 mA
3	L-
4	analog output 4...20 mA