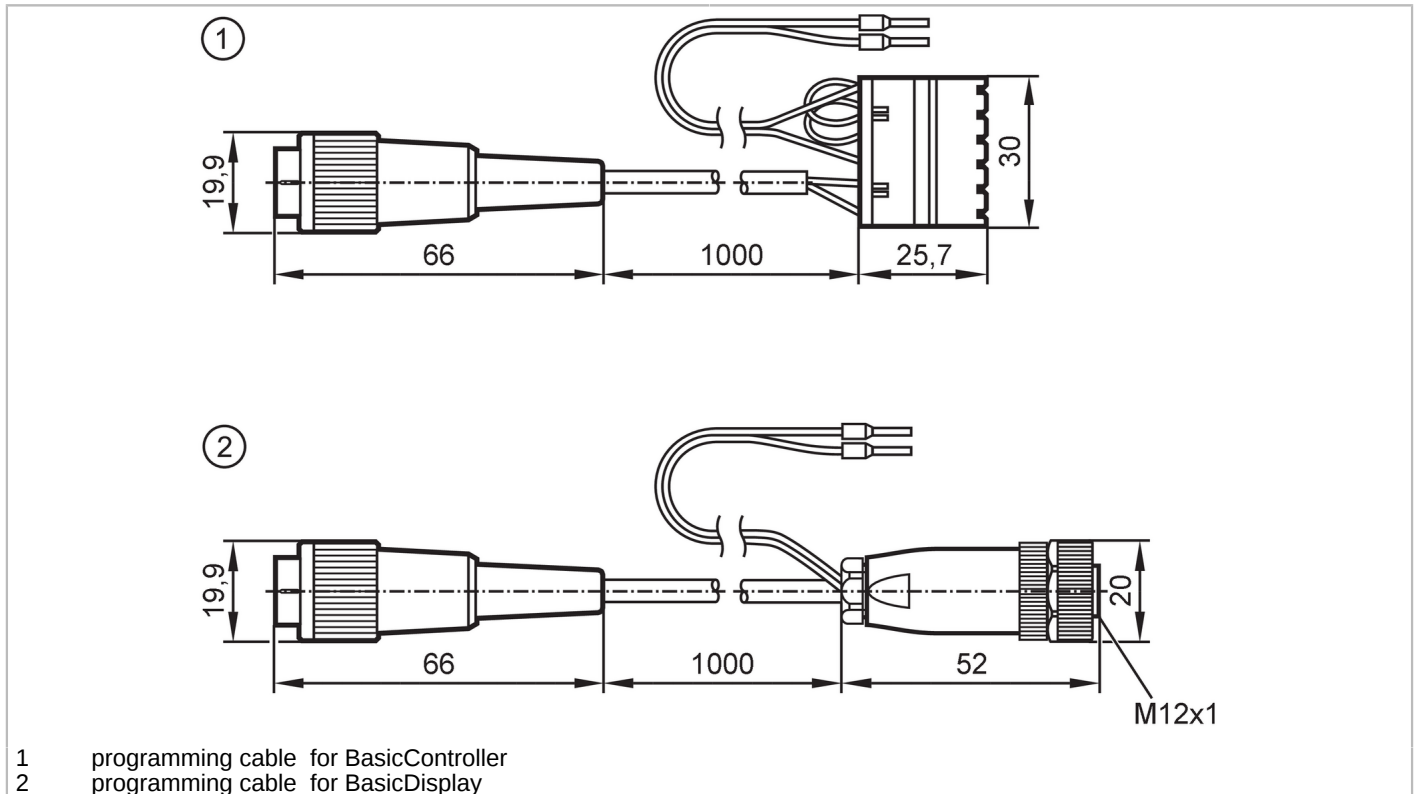


# EC2114



## Programming cable set for CAN interface

R360/CABLE/CANfox-Basic



Application	
Design	for BasicController and BasicDisplay, not suitable for:, CR0431
Application	Industrial applications
Mechanical data	
Weight	[g] 144.3
Remarks	
Pack quantity	1 pcs.



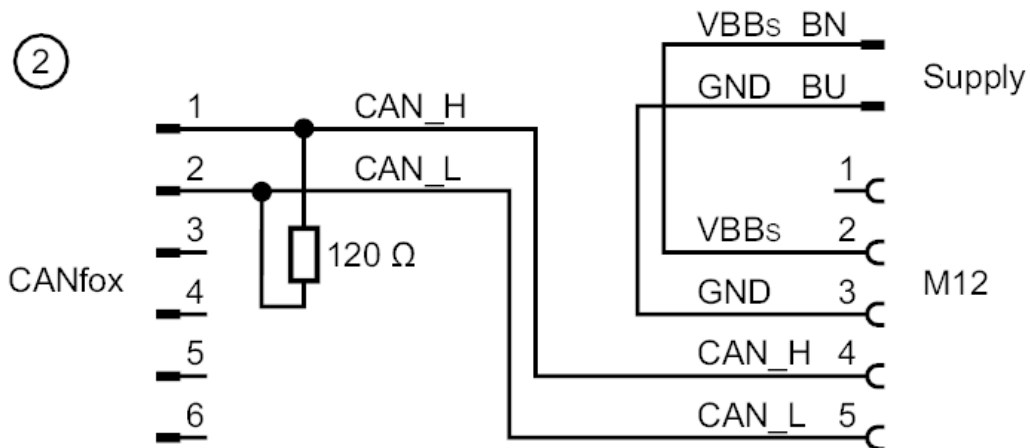
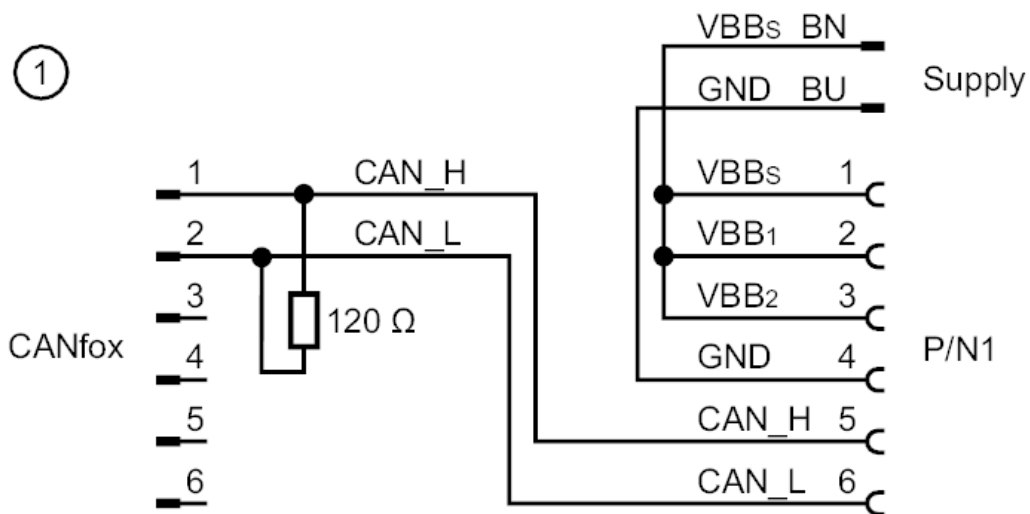
## Programming cable set for CAN interface

R360/CABLE/CANfox-Basic

### Electrical connection

Cable: 1 m, PVC, grey

### Connection

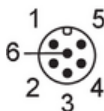


BN brown  
BU blue

- 1 programming cable for BasicController
- 2 programming cable for BasicDisplay

### Electrical connection - BasicController 1

Connector: DIN connector



### Electrical connection - BasicController 2

Connector: Standard timer contact housing

# EC2114

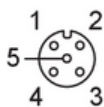


## Programming cable set for CAN interface

R360/CABLE/CANfox-Basic

### Electrical connection - BasicDisplay 1

Connector: M12; coding: A; Contacts: 5



### Electrical connection - BasicDisplay 2

Connector: DIN connector

