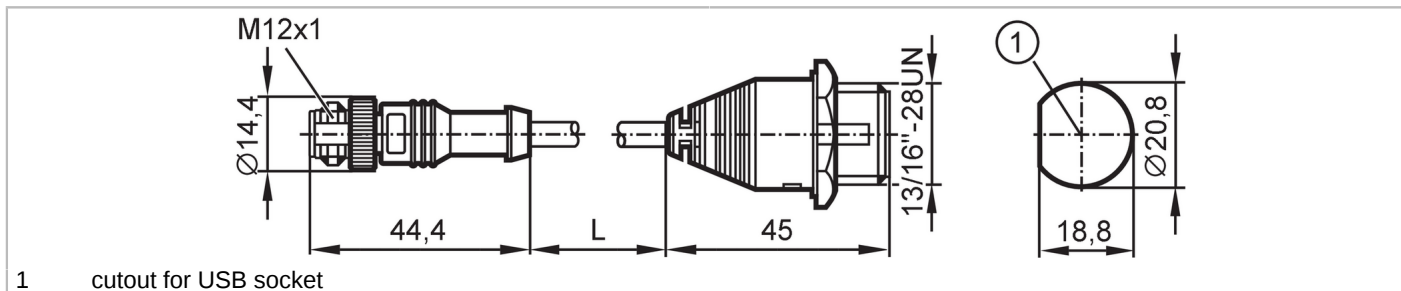


# EC2099



## USB-cable connection

R360/Cable/PDM\_NG-USB



1 cutout for USB socket



### Application

Special feature	screened cable
Design	for process and dialog modules PDM360 NG
Application	USB socket for installation in control panel or dashboard

### Operating conditions

Protection	IP 67
------------	-------

### Mechanical data

Weight	[g]	93.55
--------	-----	-------

### Accessories

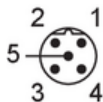
Items supplied	Protective caps: IP 67, for USB socket
----------------	--

### Remarks

Pack quantity	1 pcs.
---------------	--------

### Electrical connection - plug

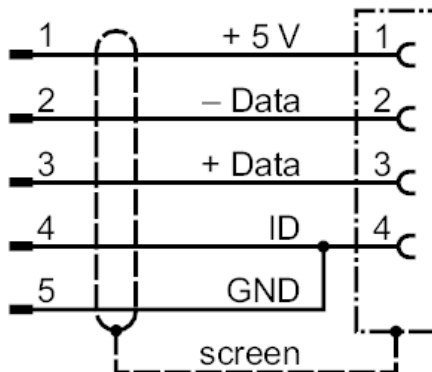
Connector: 1 x M12; coding: B; Contacts: 5



### Electrical connection

Cable: 1.5 m, PVC, black, Ø 5 mm, screened; twisted; 5 x 0.25 mm<sup>2</sup> / AWG 24

### Connection



# EC2099



## USB-cable connection

R360/Cable/PDM\_NG-USB

### Electrical connection - USB socket

Connector: 1 x Typ A; coding: 4

