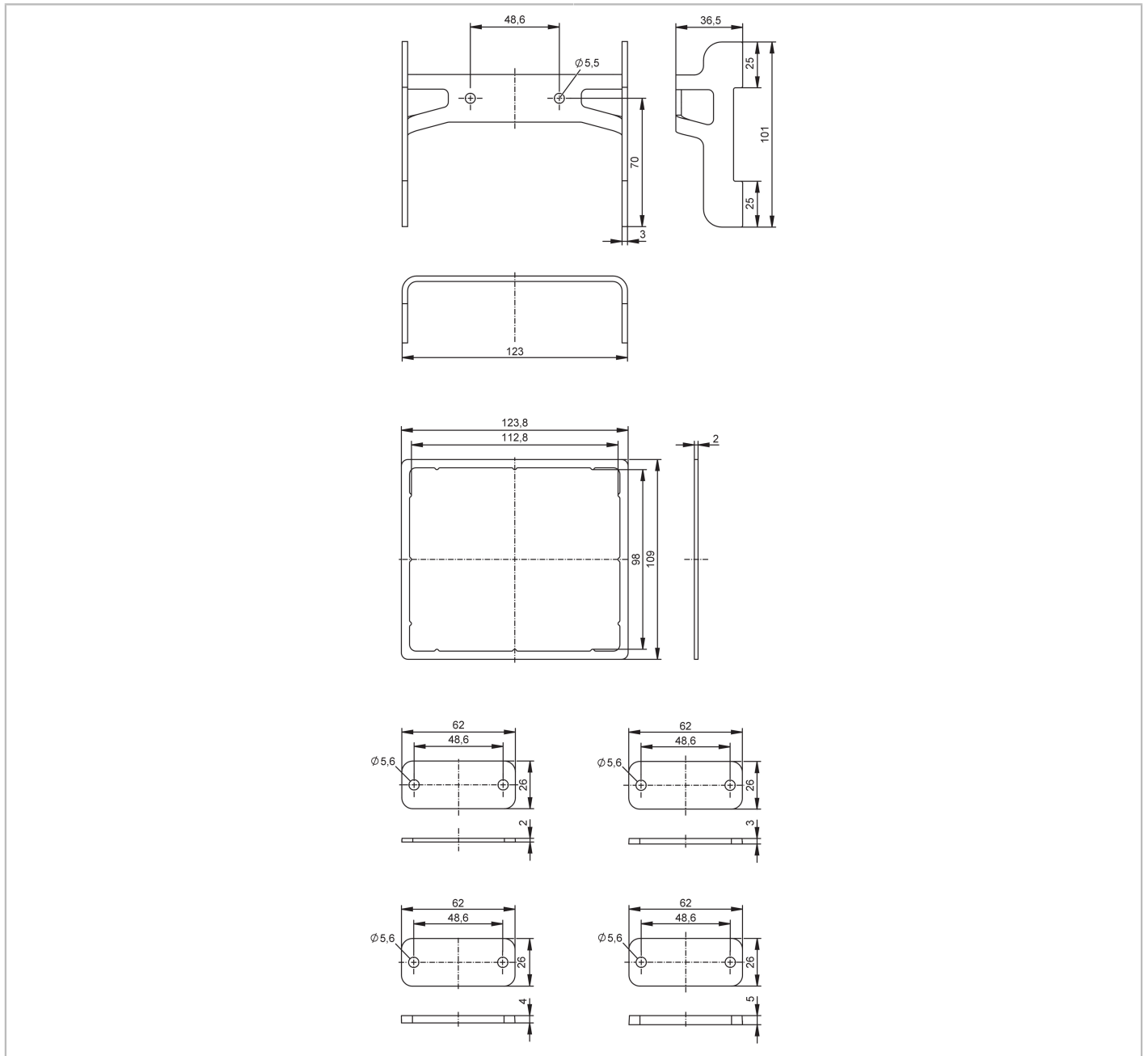


EC0750



Mounting set for graphic displays

Display/Mounting Set/4.3"/IK



Application	
Design	for ecomatDisplay, 4,3", Key
Application	Seal and vibration absorber
Mechanical data	
Weight [g]	640
Type of mounting	panel
Material	sealing: polyurethane foam black; Mounting frame: stainless steel (1.4301 / 304)

EC0750



Mounting set for graphic displays

Display/Mounting Set/4.3"/K

Accessories

Items supplied

spacers: 4 x (2 mm, 3 mm, 4 mm, 5 mm)

set screw: 2 x M5

washers: 2

Hexagon nuts: 2 x M5

sealing: 1

Mounting frame: 1

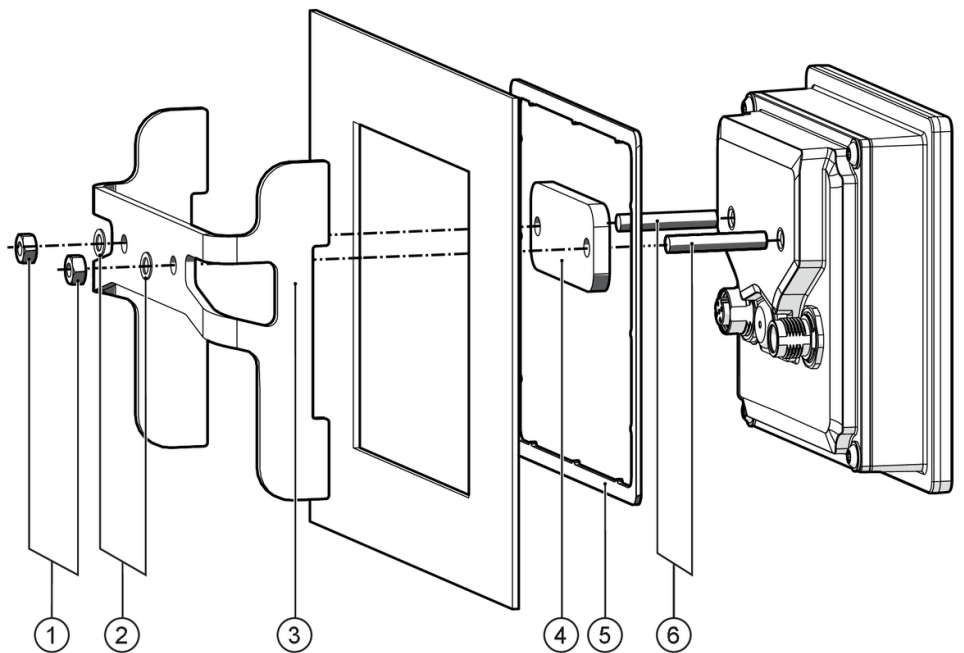
Remarks

Pack quantity

1 pcs.

Diagrams and graphs

Installation



- 1: Hexagon nuts
- 2: washers
- 3: Mounting frame
- 4: Spacer
- 5: sealing
- 6: Set screws