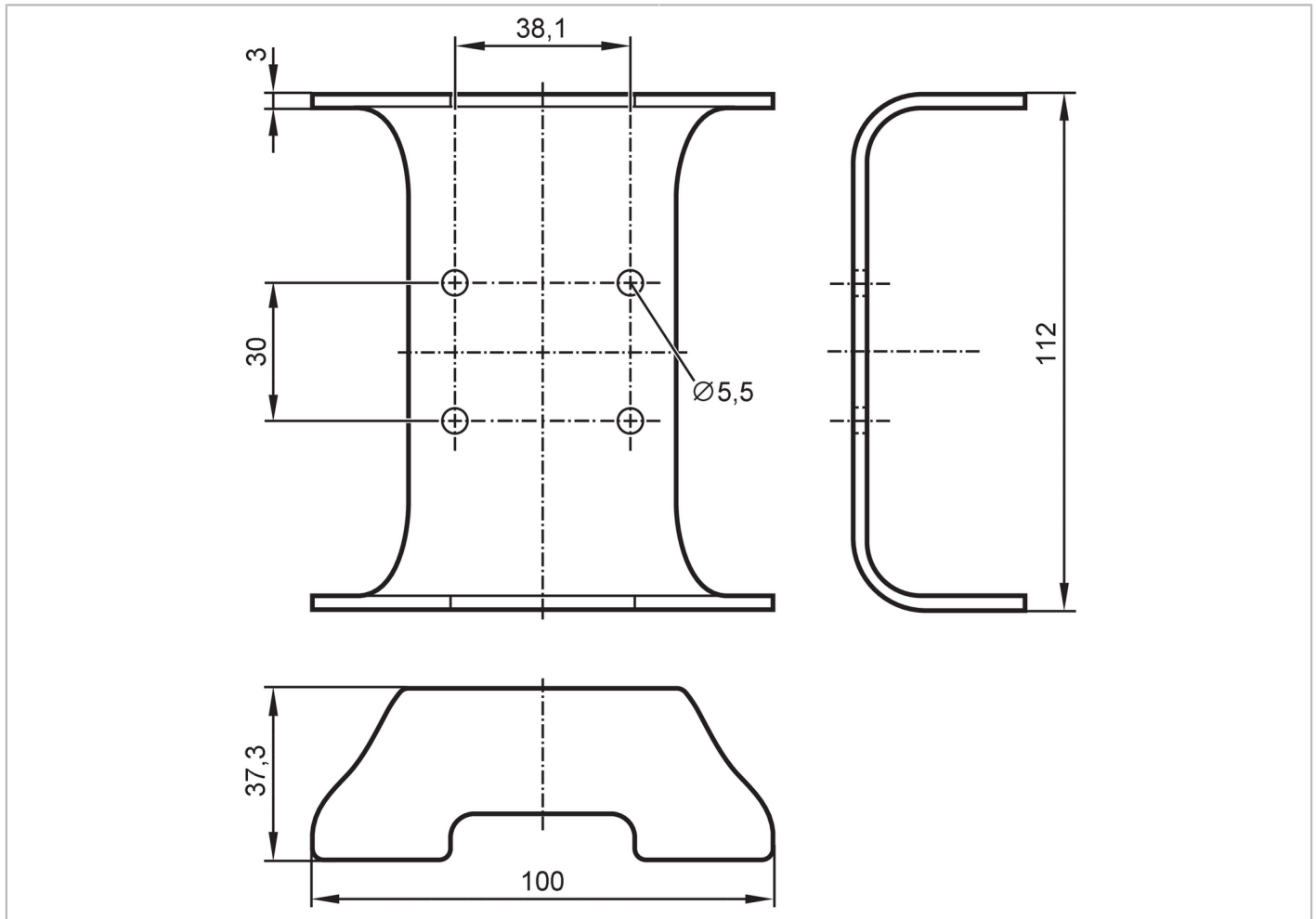


# EC0730



## Mounting frame for graphic displays

Display/Mounting Set/5"



Application	
Design	for ecomatDisplay 5"
Mechanical data	
Weight [g]	773.8
Type of mounting	panel
Dimensions [mm]	112 x 100 x 37.3
Material	Mounting frame: stainless steel (1.4301 / 304)
Accessories	
Items supplied	spacers: 2 mm, 3 mm, 4 mm, 5 mm
	set screw: 4
	washers: 4
	Nuts: 4
	Seal and vibration absorber
Remarks	
Pack quantity	1 pcs.