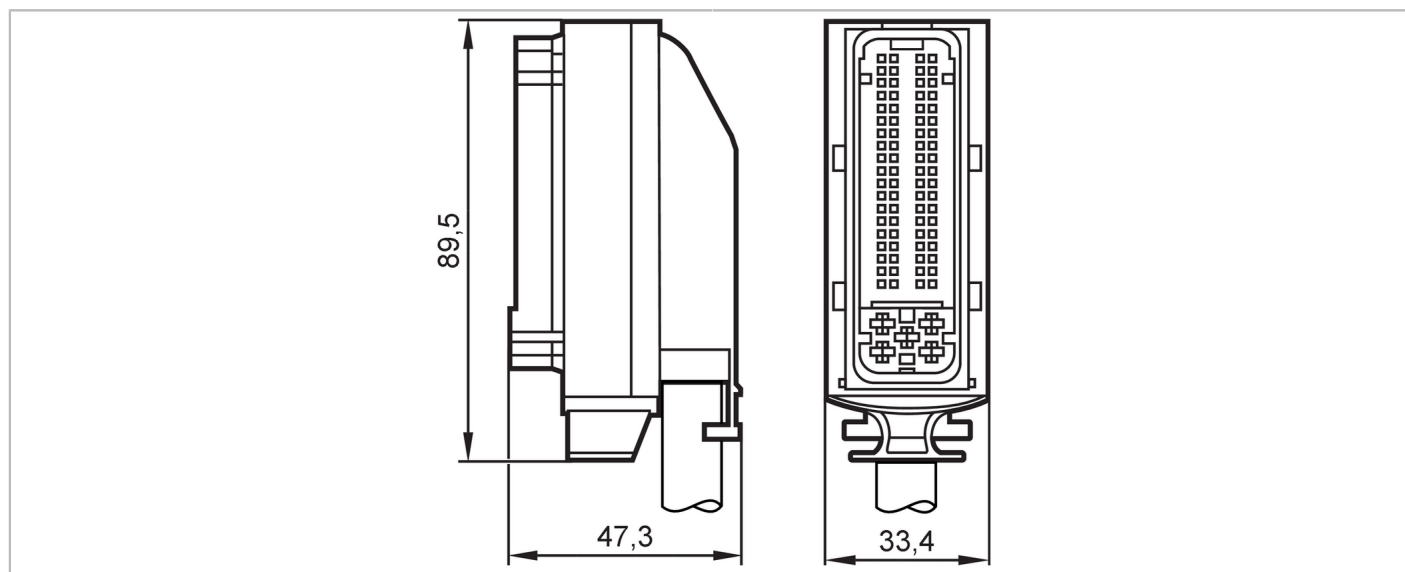


EC0711



Connecting cordset with AMP connector

ecomatCable/81p/2.5m/Code-A



Application	
Application	Industrial applications; Use in mobile and harsh applications
Electrical data	
Operating voltage [V]	36 DC
Operating conditions	
Protection	IP 67
Mechanical data	
Weight [g]	1796.4
Dimensions [mm]	89.5 x 33.4 x 47.3
Remarks	
Pack quantity	1 pcs.
Electrical connection	
Cable: 2.5 m	