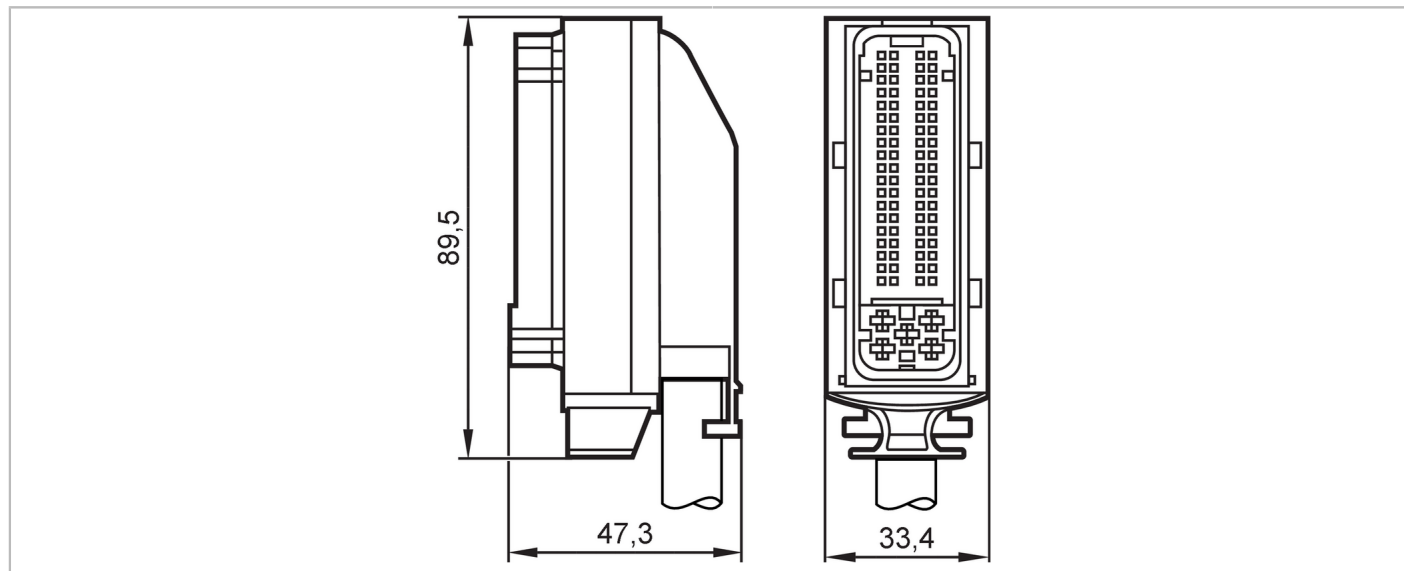


# EC0701



## Wirable AMP connector

ecomatConnection Set Code-A



### Operating conditions

Protection IP 67; (only in connection with sealing of the individual cores (not supplied))

### Mechanical data

Weight	[g]	74.8
Dimensions	[mm]	89.5 x 33.4 x 47.3

### Remarks

Pack quantity	1 pcs.
---------------	--------