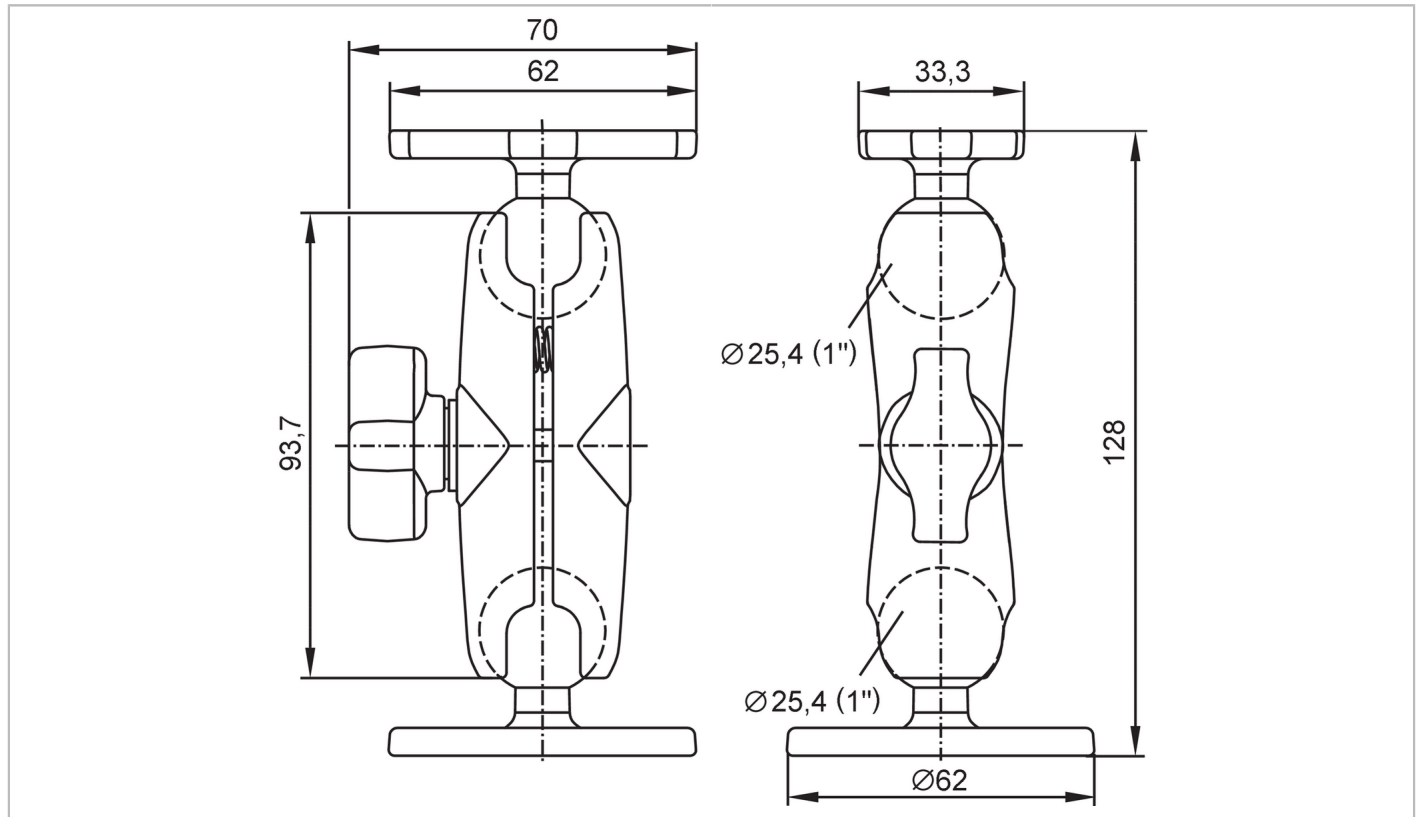


EC0412



RAM mount set for graphic displays

Display/RAM-B-Set/Diamond



Application	
Components	Mounting plate: 1 x (38,5 x 62 x 62 mm), EC0409 Mounting plate: 1 x (38 x 62 x 33,3 mm), EC0411 Mounting arm short: 1 x (95 x 57 x 31 mm), EC0410
Mechanical data	
Weight [g]	227.95
Dimensions [mm]	128 x 62 x 62
Material	aluminum black anodized; ball: rubber
Remarks	
Pack quantity	1 pcs.

EC0412



RAM mount set for graphic displays

Display/RAM-B-Set/Diamond

Diagrams and graphs

Installation

