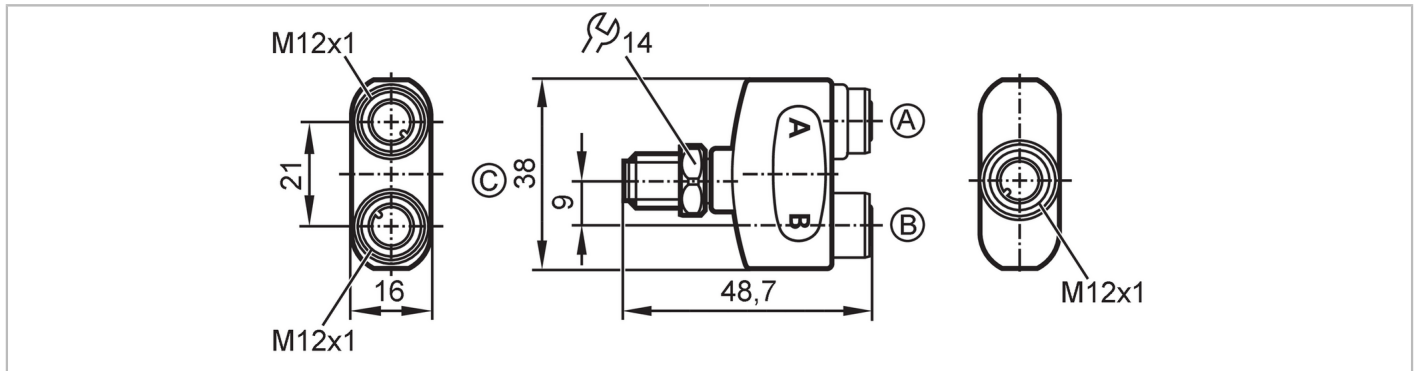


# EBT006



## Y/T splitter

ZDO2H030VAS0000-00STGH040VAS



Application		
Special feature	Free from silicone; gold-plated contacts	
Free from silicone	yes	
Electrical data		
Operating voltage	[V]	< 250 AC / < 300 DC; (cULus: 30 AC / 42 DC)
Protection class		II
Max. current load per module/slot	[A]	4
Max. current load total	[A]	4
Operating conditions		
Ambient temperature	[°C]	-25...100
Note on ambient temperature		cULus: ...65 °C
Storage temperature	[°C]	-25...55
Storage humidity	[%]	10...100
Other climatic conditions for storage according to stated class		1K22/ DIN 60721-3-1
Protection		IP 65; IP 67; IP 68; IP 69K
Tests / approvals		
UL approval	voltage supply	Class 2
	File number UL	E191684
Mechanical data		
Weight	[g]	34.6
Molded-body material		PA
Material nut		stainless steel (1.4404 / 316L)
Sealing material		EPDM
Remarks		
Pack quantity		1 pcs.

# EBT006



## Y/T splitter

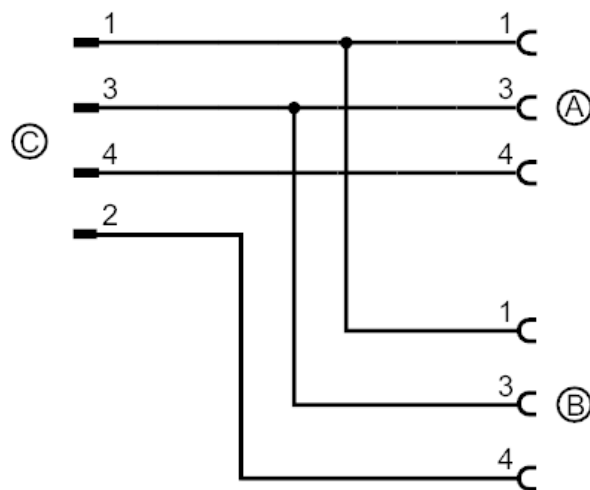
ZDO2H030VAS0000-00STGH040VAS

### Electrical connection - plug C

Connector: 1 x M12; coding: A; Contacts: 4, gold-plated; Moulded body: PA, orange; Locking: stainless steel (1.4404 / 316L);  
Tightening torque: 0.6...1.5 Nm



### Connection



Connection to IEC 61076-2-101

### Electrical connection - Socket A/B

Connector: 2 x M12; coding: A; Contacts: 3, gold-plated; Moulded body: PA, orange; Locking: stainless steel (1.4404 / 316L);  
sealing: EPDM; Tightening torque: 0.6...1.5 Nm

