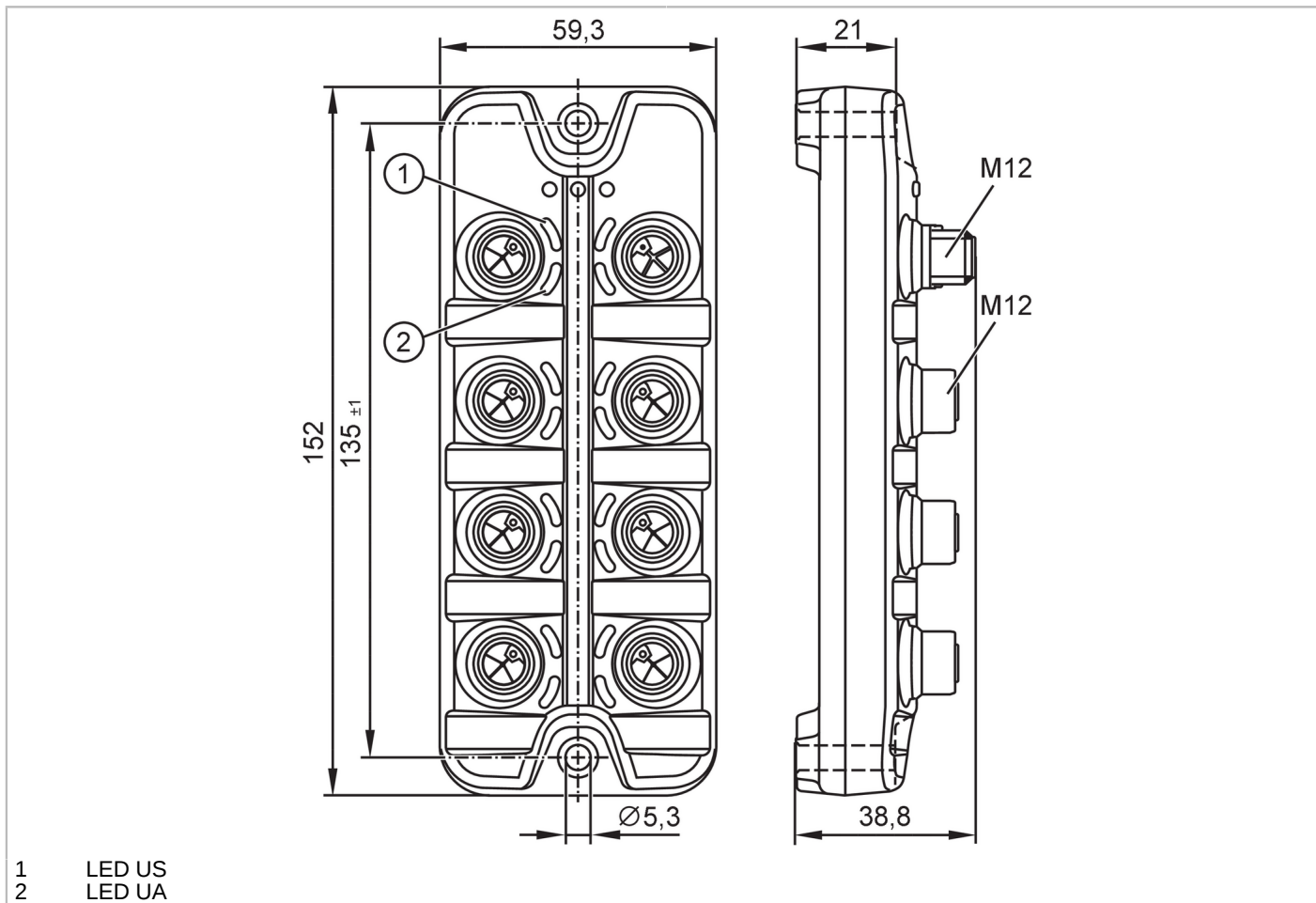


EBF017



Power distributor

ZDO7E050VAS0000-00STGE052VAS



Application	
Special feature	Free from silicone
Application	sanitary and wet areas in the food industry
Free from silicone	yes
Electrical data	
Operating voltage [V]	20...30 DC
Protection class	III
Overtoltage category	II
Max. current load per module/slot [A]	16
Max. current load total [A]	16
Operating conditions	
Ambient temperature [°C]	-25...60
Storage temperature [°C]	-25...55
Storage humidity [%]	10...100
Other climatic conditions for storage according to stated class	1K22 DIN 60721-3-1
Max. relative air humidity [%]	90; (non condensing)

EBF017



Power distributor

ZDO7E050VAS0000-00STGE052VAS

Max. height above sea level [m]	2000
Protection	IP 65; IP 67; IP 69K; (with mounted connectors or protective caps)

Tests / approvals		
UL approval	Enclosure type	Type 1
	File number UL	E205959

Mechanical data	
Weight [g]	328.377
Material	housing: PA grey Halogen-free; Protective cap: stainless steel
Material nut	stainless steel (1.4404 / 316L)
Sealing material	EPDM

Displays / operating elements		
Display	Power	1 x LED, green US
	Power	1 x LED, green UA

Accessories	
Items supplied	Protective cap: 1 x M12, E12542

Remarks	
Pack quantity	1 pcs.

Electrical connection - Input

Connector: 1 x M12; coding: L; Locking: stainless steel (1.4404 / 316L); Contacts: gold-plated; Tightening torque: 0.7...1.0 Nm



X1		
1	L+	(US)
2	L-	(UA)
3	L-	(US)
4	L+	(UA)
5		FE

Electrical connection - Output

Connector: 7 x M12; coding: L; Locking: stainless steel (1.4404 / 316L); sealing: EPDM; Contacts: gold-plated; Tightening torque: 0.7...1.0 Nm



X2...8		
1	L+	(US)
2	L-	(UA)
3	L-	(US)
4	L+	(UA)
5		FE

EBF017

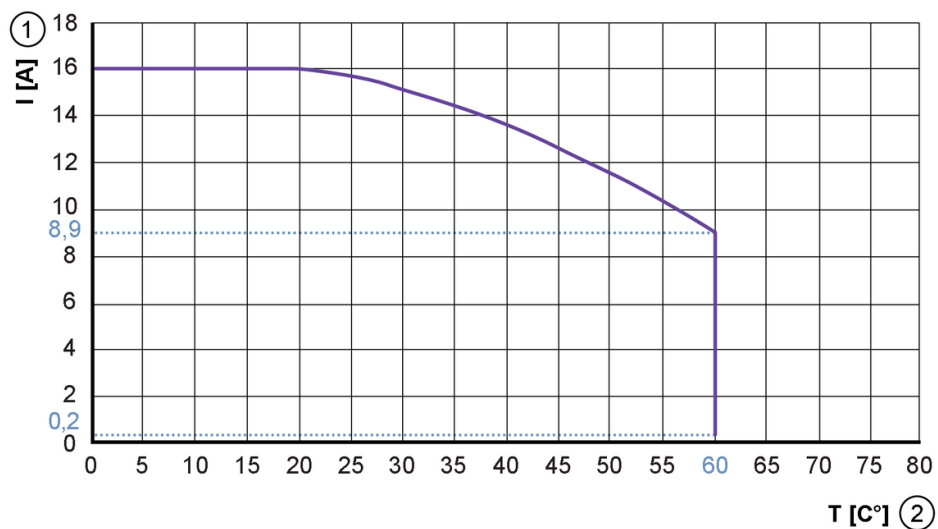


Power distributor

ZDO7E050VAS0000-00STGE052VAS

Diagrams and graphs

Characteristic curve for derating



- 1 Current [A]
- 2 Ambient temperature [°C]