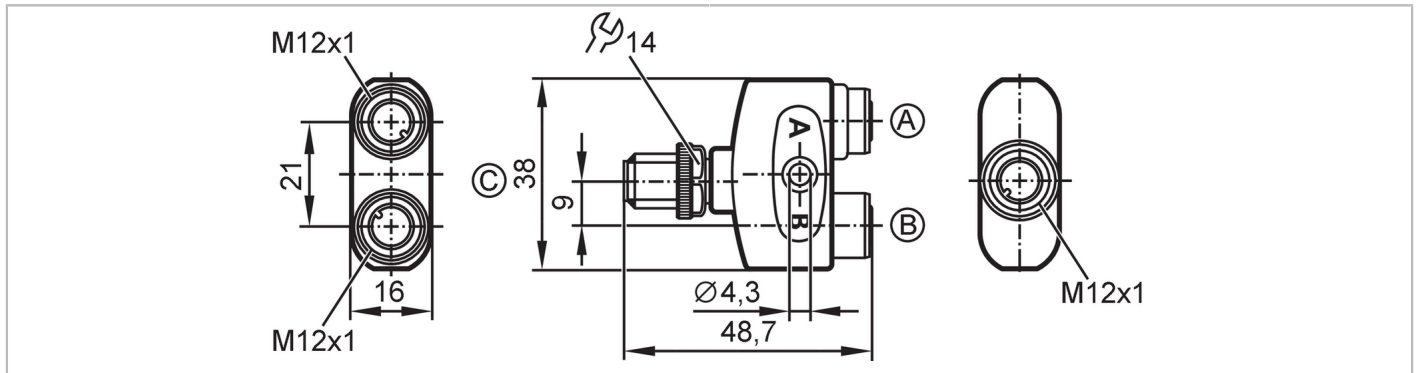


EBC162



Y/T splitter

ZDO2H020MSS0000-00STGH040MSS-



Application	
Special feature	Free from silicone; gold-plated contacts
Free from silicone	yes
Electrical data	
Operating voltage [V]	< 250 AC / < 300 DC; (cULus: 30 AC / 42 DC)
Protection class	II
Max. current load per module/slot [A]	4
Max. current load total [A]	4
Operating conditions	
Ambient temperature [°C]	-25...90
Note on ambient temperature	cULus: ...65 °C
Storage temperature [°C]	-25...55
Storage humidity [%]	10...100
Other climatic conditions for storage according to stated class	1K22/ DIN 60721-3-1
Protection	IP 65; IP 67; IP 68; IP 69K
Mechanical data	
Weight [g]	35.8
Material	housing: PA orange
Material nut	brass, nickel-plated
Sealing material	FKM
Remarks	
Pack quantity	1 pcs.

EBC162

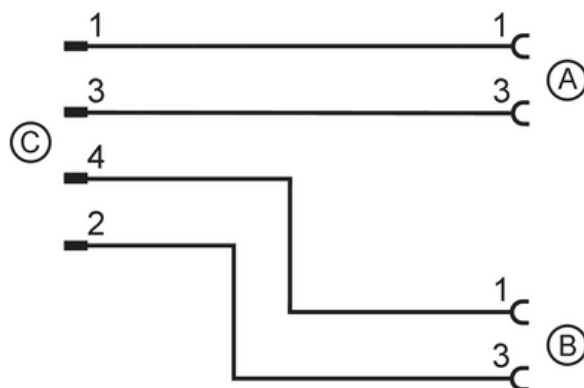


Y/T splitter

ZDO2H020MSS0000-00STGH040MSS-

Electrical connection - plug C

Connection



Connector: 1 x M12; coding: A; Contacts: 4, gold-plated; Locking: brass, nickel-plated; Tightening torque: 0.6...1.5 Nm



Electrical connection - Socket A/B

Connector: 2 x M12; coding: A; Contacts: 5, gold-plated; Locking: brass, nickel-plated; sealing: FKM; Tightening torque: 0.6...1.5 Nm

