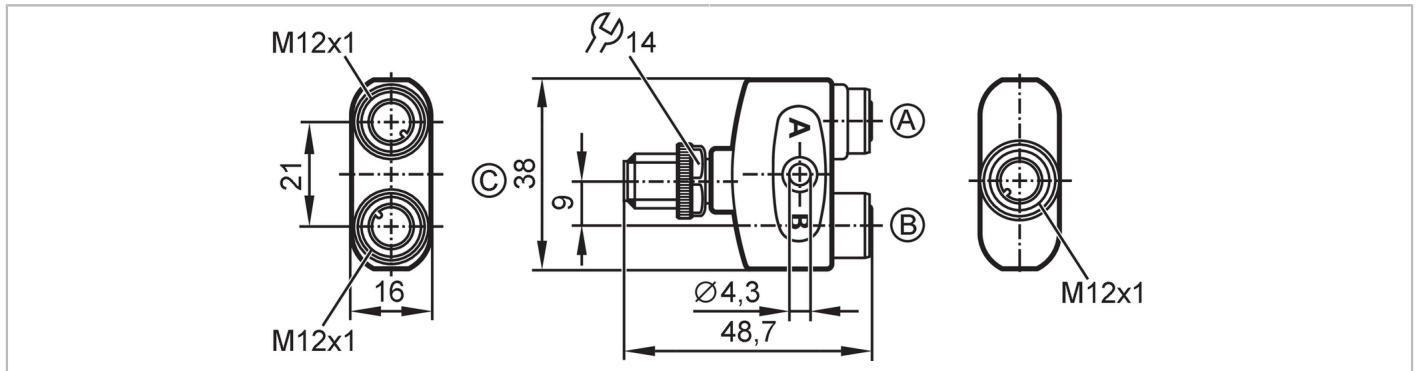


# EBC118



## Y/T splitter

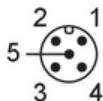
ZDO2H040MSS0000-00STGH040MSS



Application	
Special feature	Free from silicone; gold-plated contacts
Application	Industrial applications; logic AND function
Free from silicone	yes
Electrical data	
Operating voltage [V]	< 60 AC/DC; (cULus: 30 AC / 42 DC)
Protection class	II
Max. current load per module/slot [A]	4
Max. current load total [A]	4
Operating conditions	
Ambient temperature [°C]	-25...90
Note on ambient temperature	cULus: ...65 °C
Storage temperature [°C]	-25...55
Storage humidity [%]	10...100
Other climatic conditions for storage according to stated class	1K22/ DIN 60721-3-1
Protection	IP 65; IP 67; IP 68; IP 69K
Mechanical data	
Weight [g]	36.6
Molded-body material	PA
Material nut	brass, nickel-plated
Sealing material	FKM
Remarks	
Pack quantity	1 pcs.

### Electrical connection - plug C

Connector: 1 x M12; coding: A; Contacts: 5, gold-plated; Moulded body: PA, orange; Locking: brass, nickel-plated; Tightening torque: 0.6...1.5 Nm



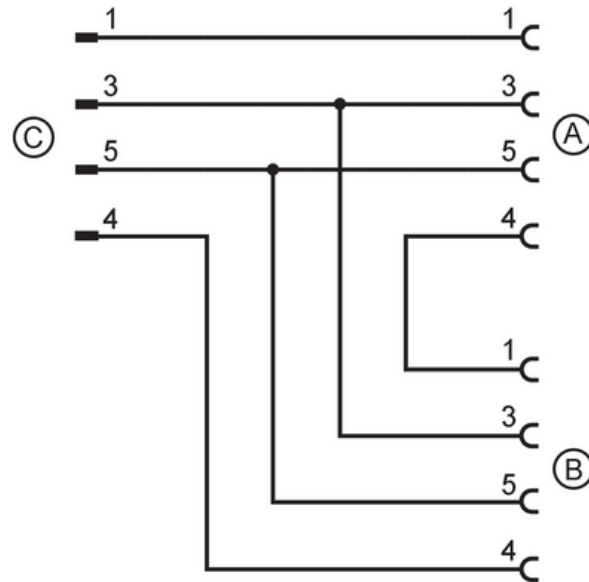
# EBC118



## Y/T splitter

ZDO2H040MSS0000-00STGH040MSS

### Connection



### Electrical connection - Socket A/B

Connector: 2 x M12; coding: A; Contacts: 4, gold-plated; Moulded body: PA, orange; Locking: brass, nickel-plated; sealing: FKM; Tightening torque: 0.6...1.5 Nm

