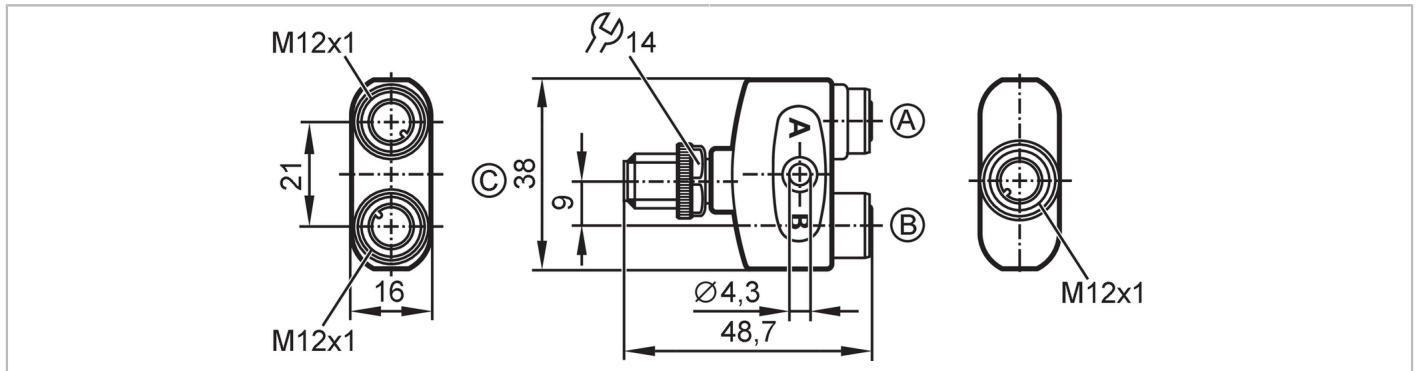


EBC117



Y/T splitter

ZDO2H040MSS0000-00STGH050MSS



Application

Special feature	Free from silicone; gold-plated contacts
Free from silicone	yes

Electrical data

Operating voltage	[V]	< 60 AC/DC; (cULus: 30 AC / 42 DC)
Protection class		II
Max. current load per module/slot	[A]	4
Max. current load total	[A]	4

Operating conditions

Ambient temperature	[°C]	-25...90
Note on ambient temperature		cULus: ...65 °C
Storage temperature	[°C]	-25...55
Storage humidity	[%]	10...100
Other climatic conditions for storage according to stated class		1K22/ DIN 60721-3-1
Protection		IP 65; IP 67; IP 68; IP 69K

Mechanical data

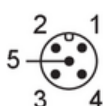
Weight	[g]	37.2
Molded-body material		PA
Material nut		brass, nickel-plated
Sealing material		FKM

Remarks

Pack quantity	1 pcs.
---------------	--------

Electrical connection - plug C

Connector: 1 x M12; coding: A; Contacts: 5, gold-plated; Moulded body: PA, orange; Locking: brass, nickel-plated; Tightening torque: 0.6...1.5 Nm



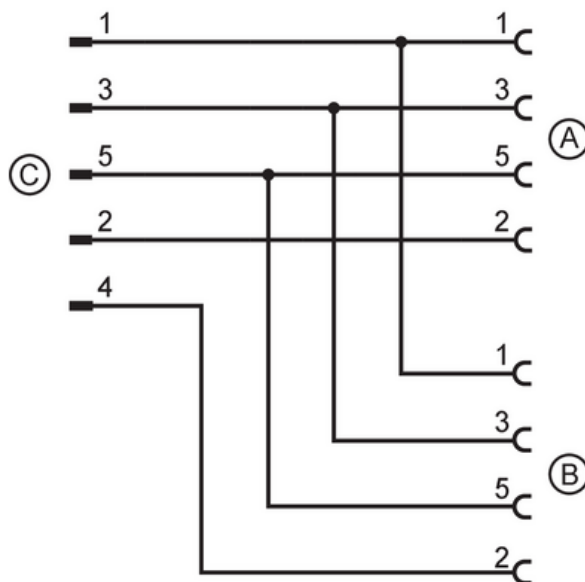
EBC117



Y/T splitter

ZDO2H040MSS0000-00STGH050MSS

Connection



Electrical connection - Socket A/B

Connector: 2 x M12; coding: A; Contacts: 4, gold-plated; Moulded body: PA, orange; Locking: brass, nickel-plated; sealing: FKM; Tightening torque: 0.6...1.5 Nm

