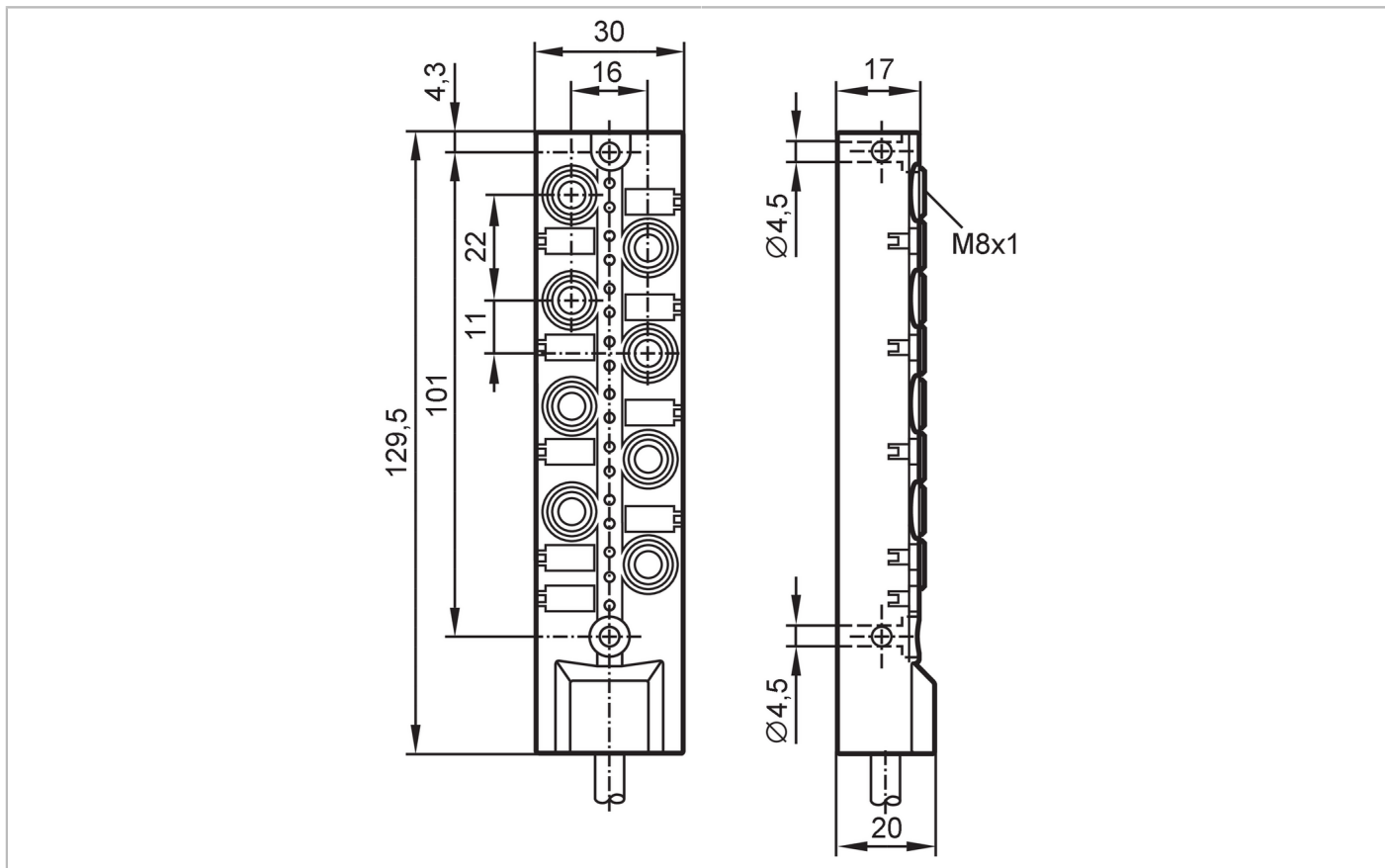


# EBC057



## Wiring block

ZDO8F04HMSS0010H10



Application	
Special feature	gold-plated contacts; Drag chain suitability
Electrical data	
Operating voltage [V]	10...30 DC; (cULus - Class 2 source required)
Protection class	III
Max. current load per module/slot [A]	2
Max. current load total [A]	6
Outputs	
Electrical design	PNP
Operating conditions	
Ambient temperature [°C]	-25...80
Ambient temperature (moving) [°C]	-5...60
Protection	IP 65; IP 67; IP 68
Mechanical data	
Weight [g]	1247
Housing	rectangular
Type of mounting	Backplane mounting
Dimensions [mm]	129.5 x 30 x 20

# EBC057



## Wiring block

ZDO8F04HMSS0010H10

Material	housing: PBT-GF20	
Material nut	brass, nickel-plated	
Number of ports splitter box	8	
Connector type	M8	
Drag chain suitability	yes	
Drag chain suitability	Bending radius for flexible applications	min. 10 x cable diameter
	Travel speed	max. 3.3 m/s for a horizontal travel length of 5 m and max. acceleration of 5 m/s <sup>2</sup>
	Bending cycles	> 5 Mio.
	Torsional strain	± 180 °/m

### Displays / operating elements

Display	Switching status	16 x LED, yellow
	Power	1 x LED, green

### Accessories

Accessories (optional)	DIN rail adapter:, E73007
	Protective cap: M8, E73005

### Remarks

Pack quantity	1 pcs.
---------------	--------

### Electrical connection

Cable: 10 m, PUR, black, Ø 8.5 mm; 16 x 0.34 mm<sup>2</sup> (43 x Ø 0.1 mm ) + 2 x 0.75 mm<sup>2</sup> (21 x Ø 0.2 mm )

### Electrical connection - slot

Connector: 8 x M8; coding: A; Contacts: 4, gold-plated; Locking: brass, nickel-plated



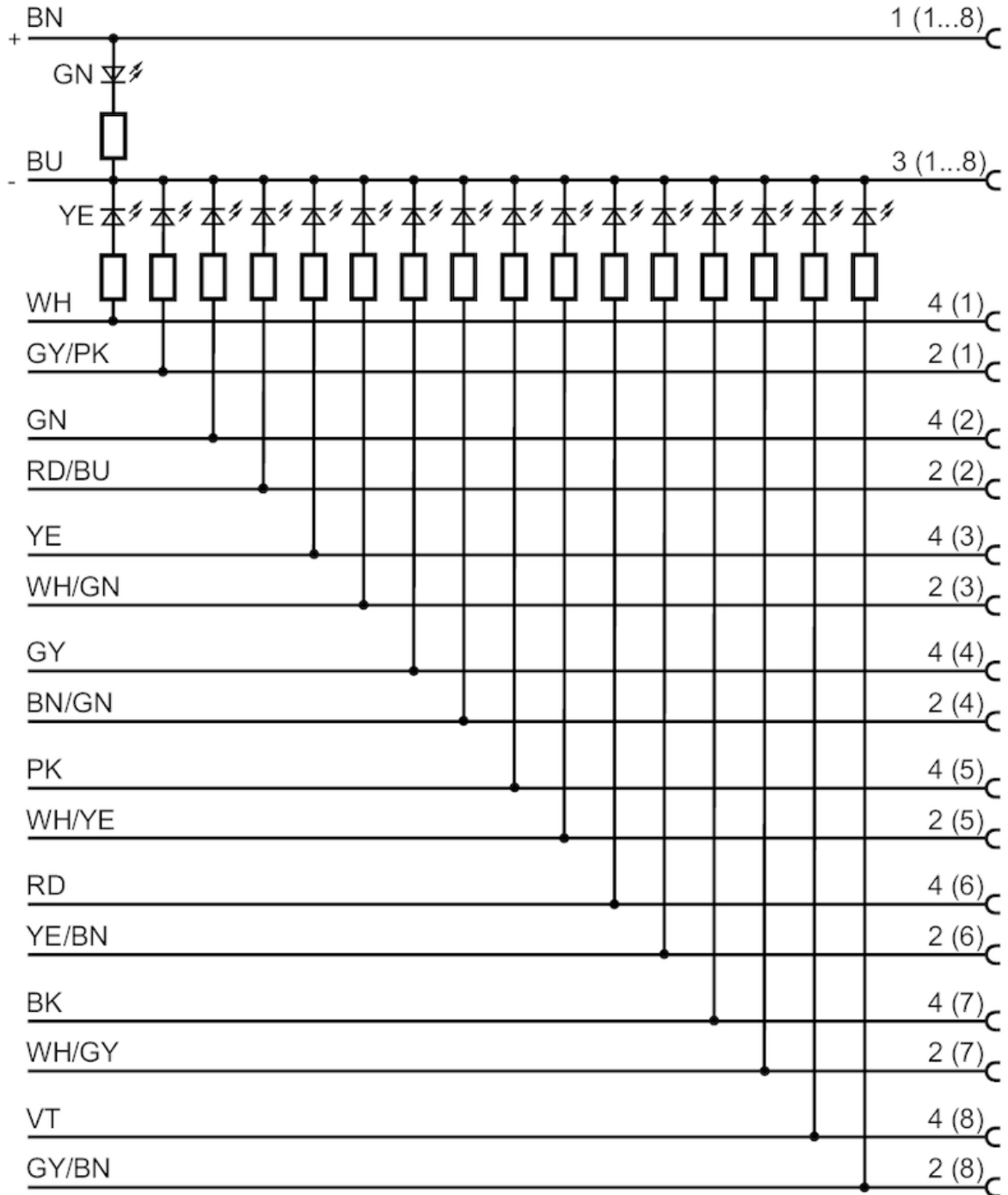
# EBC057



## Wiring block

ZDO8F04HMSS0010H10

### Connection



- Core colors :
- BK = black
  - BN = brown
  - BU = blue
  - GN = green
  - GY = grey
  - PK = pink
  - RD = red
  - VT = lilac
  - WH = white
  - YE = yellow

# EBC057

## Wiring block

ZD08F04HMSS0010H10

