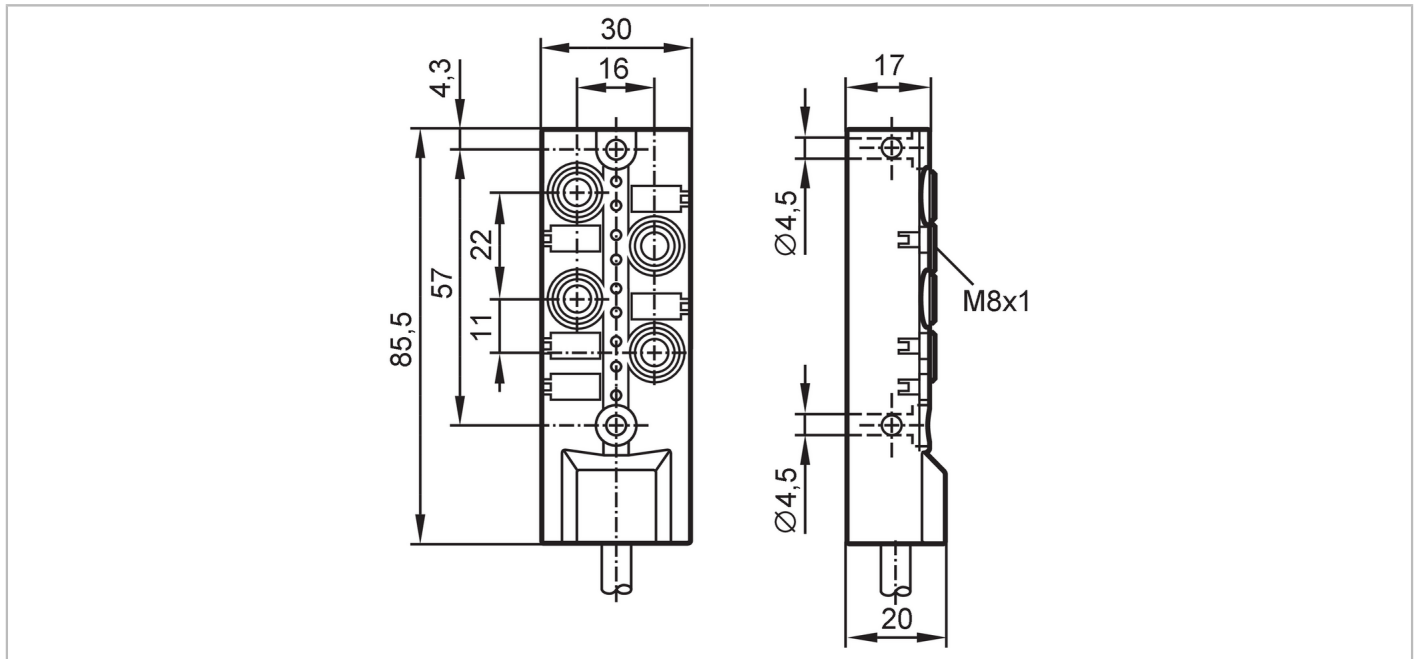


# EBC051



## Wiring block

ZDO4F049MSS0005H10



Application		
Special feature		gold-plated contacts; Drag chain suitability
Electrical data		
Operating voltage	[V]	10...30 DC; (cULus - Class 2 source required)
Protection class		III
Max. current load per module/slot	[A]	2
Max. current load total	[A]	6
Outputs		
Electrical design		PNP
Operating conditions		
Ambient temperature	[°C]	-25...80
Ambient temperature (moving)	[°C]	-5...60
Protection		IP 65; IP 67; IP 68
Mechanical data		
Weight	[g]	442.5
Housing		rectangular
Type of mounting		Backplane mounting
Dimensions	[mm]	85.5 x 30 x 20
Material		housing: PBT-GF20
Material nut		brass, nickel-plated
Number of ports splitter box		4
Connector type		M8
Drag chain suitability		yes

# EBC051



## Wiring block

ZDO4F049MSS0005H10

Drag chain suitability	Bending radius for flexible applications	min. 10 x cable diameter
	Travel speed	max. 3.3 m/s for a horizontal travel length of 5 m and max. acceleration of 5 m/s <sup>2</sup>
	Bending cycles	> 5 Mio.
	Torsional strain	± 180 °/m

### Displays / operating elements

Display	Switching status	8 x LED, yellow
	Power	1 x LED, green

### Accessories

Accessories (optional)	DIN rail adapter:, E73006
	Protective cap: M8, E73005

### Remarks

Pack quantity	1 pcs.
---------------	--------

### Electrical connection

Cable: 5 m, PUR, black, Ø 7.4 mm; 8 x 0.34 mm<sup>2</sup> (43 x Ø 0.1 mm ) + 2 x 0.75 mm<sup>2</sup> (21 x Ø 0.2 mm )

### Electrical connection - slot

Connector: 4 x M8; coding: A; Contacts: 4, gold-plated; Locking: brass, nickel-plated



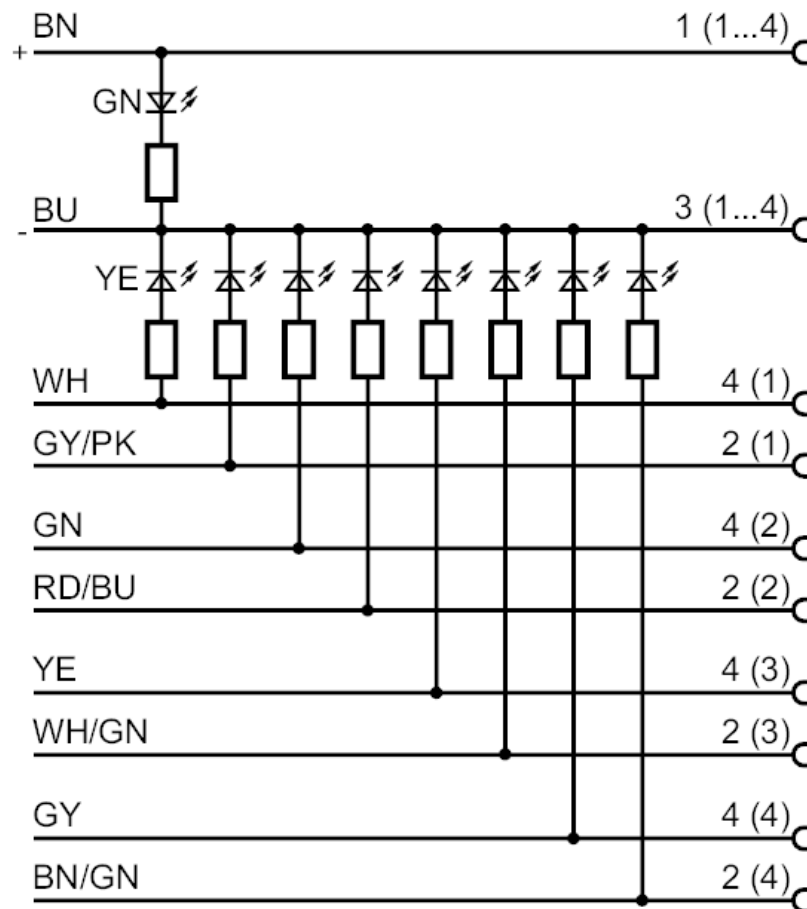
# EBC051



## Wiring block

ZDO4F049MSS0005H10

### Connection



	Core colors :
BN =	brown
BU =	blue
GN =	green
GY =	grey
PK =	pink
RD =	red
WH =	white
YE =	yellow