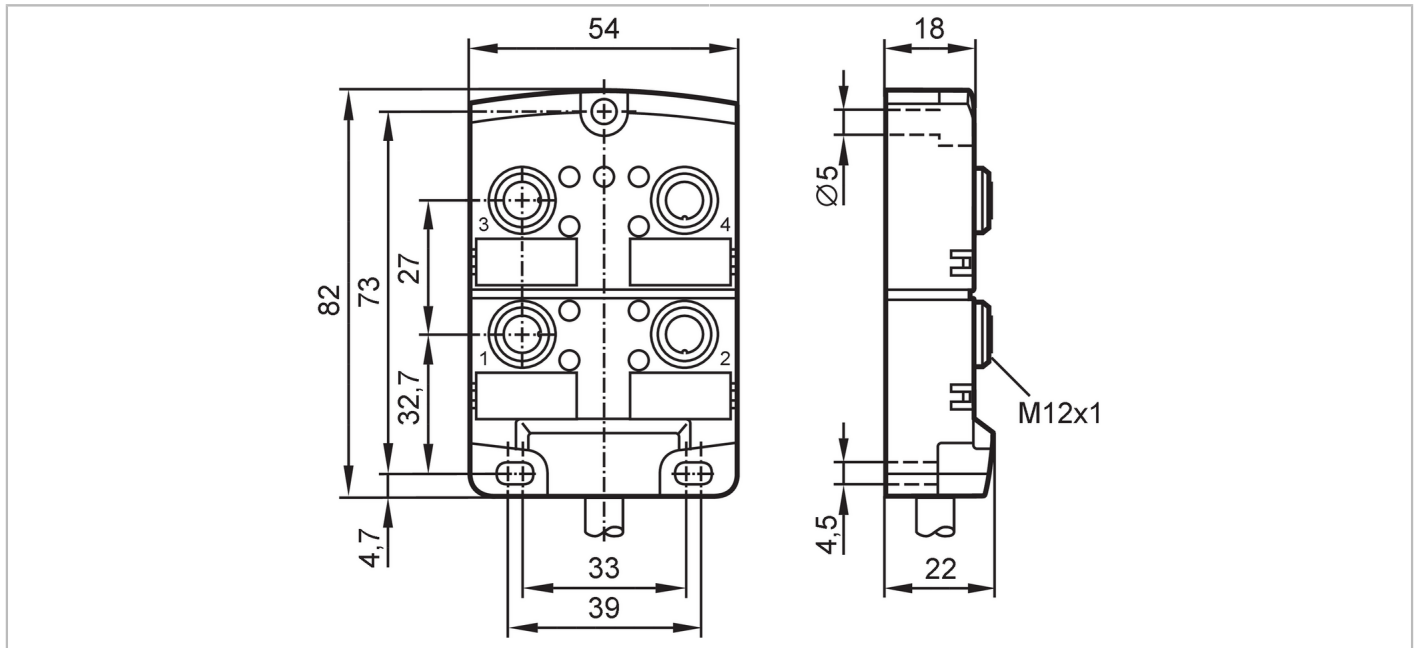


EBC028



Wiring block

ZDO4H059MSS0010H11



Application		
Special feature		Free from silicone; Halogen-free; gold-plated contacts; Drag chain suitability
Free from silicone		yes
Electrical data		
Operating voltage	[V]	10...30 DC; (cULus - Class 2 source required)
Protection class		II
Max. current load per module/slot	[A]	4
Max. current load total	[A]	12
Outputs		
Electrical design		PNP
Operating conditions		
Ambient temperature	[°C]	-25...80
Ambient temperature (moving)	[°C]	-5...60
Protection		IP 67; IP 68
Mechanical data		
Weight	[g]	1137.5
Housing		rectangular
Type of mounting		Backplane mounting
Dimensions	[mm]	82 x 54 x 22
Material		housing: PA
Material nut		brass, nickel-plated
Number of ports splitter box		4
Connector type		M12
Drag chain suitability		yes

EBC028



Wiring block

ZDO4H059MSS0010H11

Drag chain suitability	Bending radius for flexible applications	min. 10 x cable diameter
	Bending cycles	> 2 Mio.

Displays / operating elements

Display	Switching status	8 x LED, yellow
	Power	1 x LED, green

Accessories

Items supplied	Protective caps: 2 labels: 4
----------------	---------------------------------

Remarks

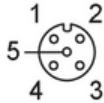
Pack quantity	1 pcs.
---------------	--------

Electrical connection

Cable: 10 m, PUR, Halogen-free, black, Ø 8.2 mm; 8 x 0.34 mm² (43 x Ø 0.1 mm) + 3 x 1.0 mm² (55 x Ø 0.15 mm)

Electrical connection - slot

Connector: 4 x M12; coding: A; Contacts: 5, gold-plated; Locking: brass, nickel-plated; Tightening torque: 0.8...1.5 Nm



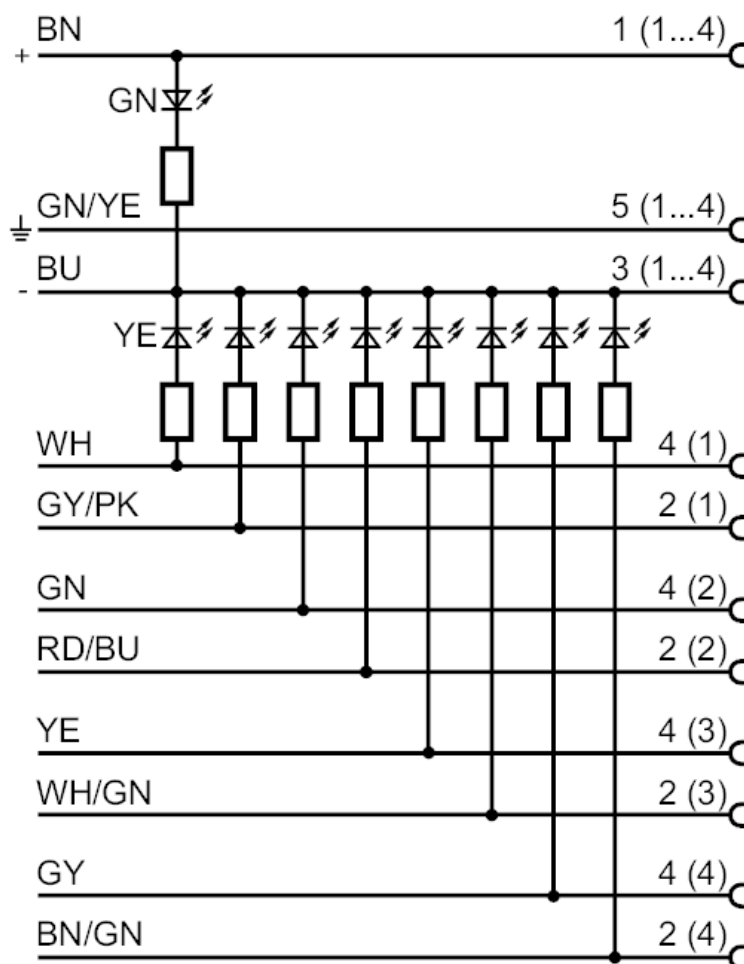
EBC028



Wiring block

ZDO4H059MSS0010H11

Connection



	Core colors :
BN =	brown
BU =	blue
GN =	green
GY =	grey
PK =	pink
RD =	red
WH =	white
YE =	yellow