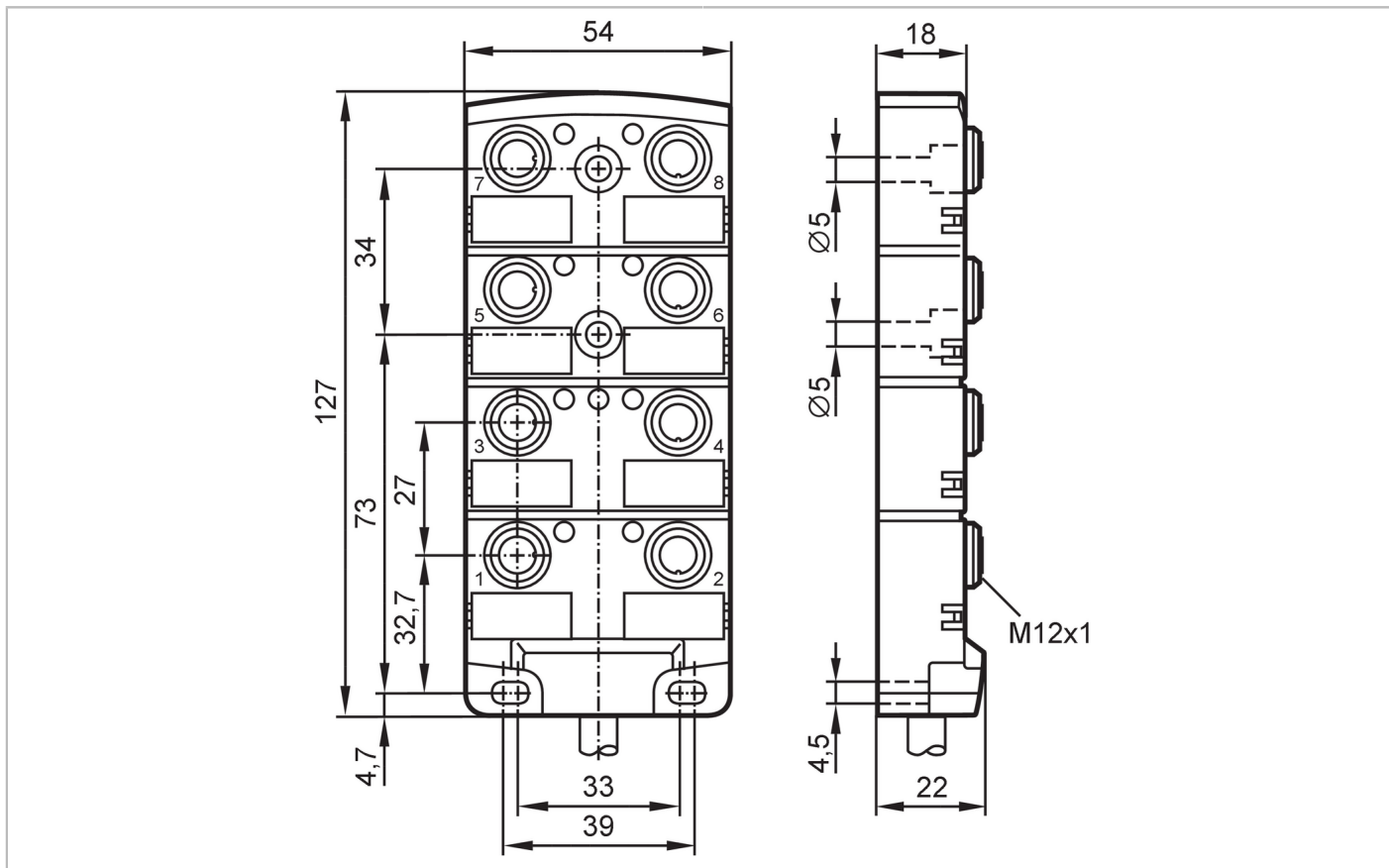


EBC023



Wiring block

ZDO8H059MSS0005H11



Application	
Special feature	Free from silicone; Halogen-free; gold-plated contacts; Drag chain suitability
Application	Industrial applications; Oils and coolants
Free from silicone	yes
Electrical data	
Operating voltage [V]	10...30 DC; (cULus - Class 2 source required)
Protection class	II
Max. current load per module/slot [A]	4
Max. current load total [A]	12
Outputs	
Electrical design	PNP
Operating conditions	
Ambient temperature [°C]	-25...80
Ambient temperature (moving) [°C]	-5...60
Protection	IP 67; IP 68
Tests / approvals	
UL approval	Enclosure type Type 1
Mechanical data	
Weight [g]	698.3

EBC023



Wiring block

ZDO8H059MSS0005H11

Housing	rectangular
Type of mounting	Backplane mounting
Dimensions [mm]	127 x 54 x 22
Material	housing: PA
Material nut	brass, nickel-plated
Number of ports splitter box	8
Connector type	M12
Drag chain suitability	yes
Drag chain suitability	Bending radius for flexible applications min. 10 x cable diameter
	Bending radius for fixed installation min. 5 x cable diameter
	Travel speed max. 3 m/s at 5 m horizontal travel length and max. acceleration of 5 m/s ²
	Torsional strain ± 30 °/m
	Bending cycles > 2 Mio.

Displays / operating elements

Display	Switching status	8 x LED, yellow
	Power	1 x LED, green

Accessories

Items supplied	Protective caps: 2 labels: 8
----------------	---------------------------------

Remarks

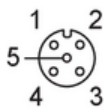
Pack quantity	1 pcs.
---------------	--------

Electrical connection

Cable: 5 m, PUR, Halogen-free, black, Ø 8.2 mm; 8 x 0.34 mm² (43 x Ø 0.1 mm) + 3 x 0.75 mm² (95 x Ø 0.1 mm)

Electrical connection - slot

Connector: 8 x M12; coding: A; Contacts: 4, gold-plated; Locking: brass, nickel-plated; Tightening torque: 0.8...1.5 Nm



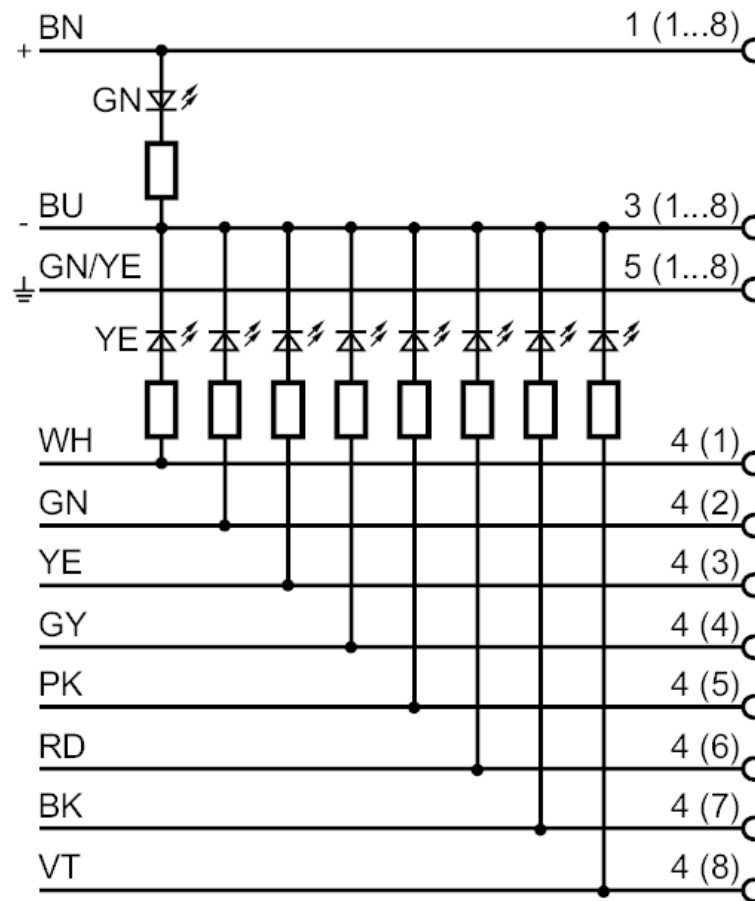
EBC023



Wiring block

ZDO8H059MSS0005H11

Connection



	Core colors :
BK =	black
BN =	brown
BU =	blue
GN =	green
GN/YE =	green/yellow
GY =	grey
PK =	pink
RD =	red
VT =	lilac
WH =	white
YE =	yellow