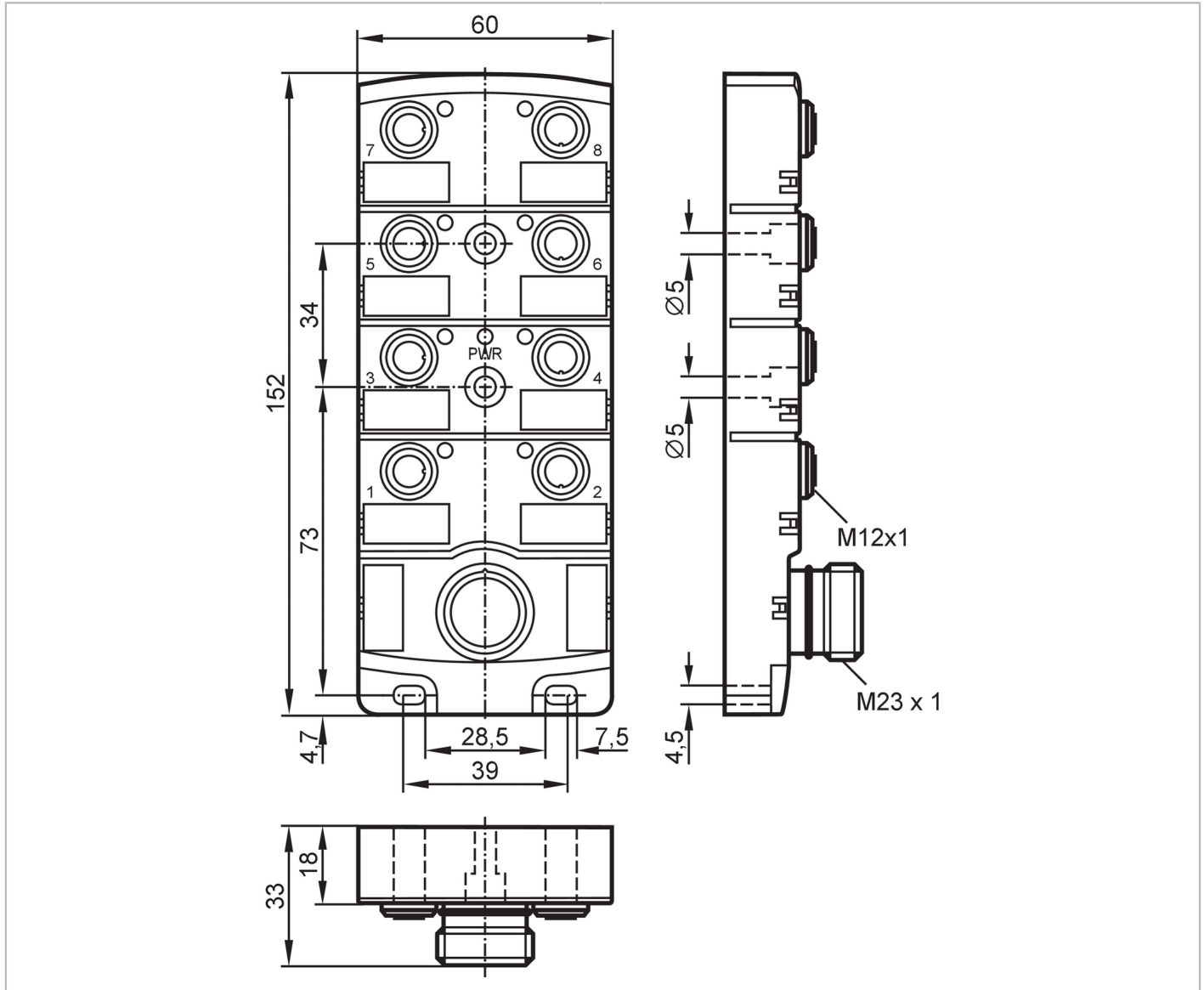


# EBC010



## Wiring block

ZDO8H059MSS0000-00STAK120MSS



| Application                       |      |   |
|-----------------------------------|------|---|
| Special feature                   |      | Free from silicone; gold-plated contacts      |
| Application                       |      | Industrial applications; Oils and coolants    |
| Free from silicone                |      | yes   |
| Electrical data                   |      |   |
| Operating voltage                 | [V]  | 10...30 DC; (cULus - Class 2 source required) |
| Max. current load per module/slot | [A]  | 4   |
| Max. current load total           | [A]  | 12  |
| Outputs                           |      |   |
| Electrical design                 |      | PNP   |
| Operating conditions              |      |   |
| Ambient temperature               | [°C] | -25...80                                      |

# EBC010



## Wiring block

ZDO8H059MSS0000-00STAK120MSS

|            |       |
|------------|-------|
| Protection | IP 67 |
|------------|-------|

### Tests / approvals

|             |                |        |
|-------------|----------------|--------|
| UL approval | Enclosure type | Type 1 |
|-------------|----------------|--------|

### Mechanical data

|                              |      |                    |
|------------------------------|------|--------------------|
| Weight                       | [g]  | 304.5              |
| Housing                      |      | rectangular        |
| Type of mounting             |      | Backplane mounting |
| Dimensions                   | [mm] | 152 x 60 x 33      |
| Material                     |      | housing: PA        |
| Number of ports splitter box |      | 8                  |
| Connector type               |      | M12                |

### Displays / operating elements

|         |                  |                 |
|---------|------------------|-----------------|
| Display | Switching status | 8 x LED, yellow |
|         | Power            | 1 x LED, green  |

### Accessories

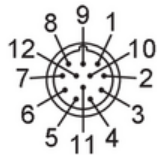
|                |                                 |
|----------------|---------------------------------|
| Items supplied | Protective caps: 2<br>labels: 8 |
|----------------|---------------------------------|

### Remarks

|               |        |
|---------------|--------|
| Pack quantity | 1 pcs. |
|---------------|--------|

### Electrical connection - Connection

Connector: 1 x M23; Contacts: 12, gold-plated; Tightening torque: 0.8...1.5 Nm



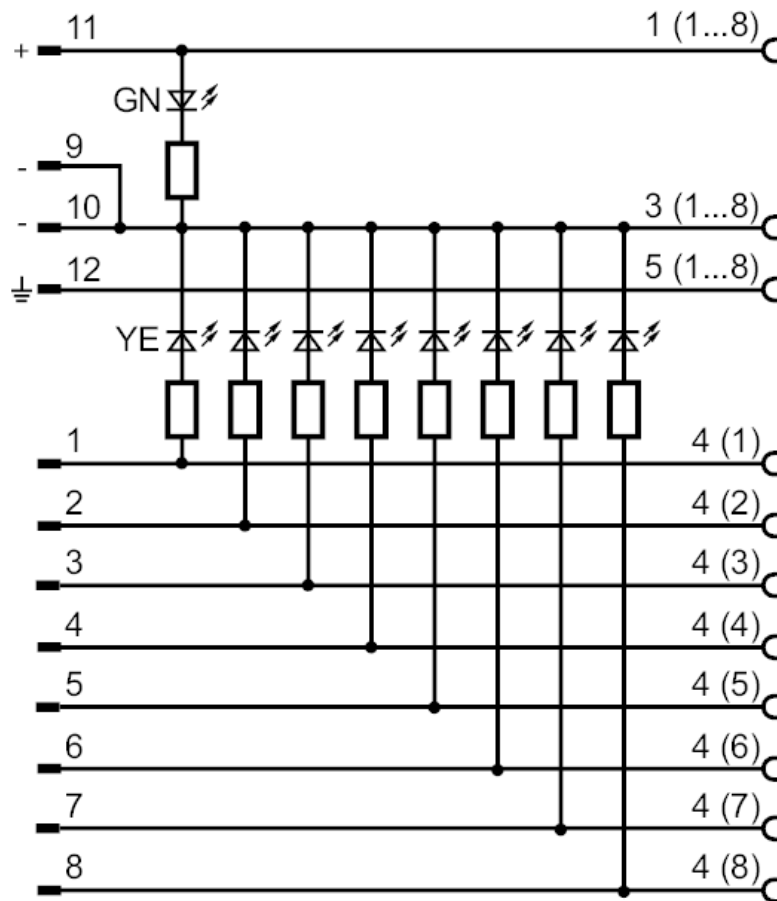
# EBC010



## Wiring block

ZDO8H059MSS0000-00STAK120MSS

### Connection



### Electrical connection - slot

Connector: 8 x M12; coding: A; Contacts: 4, gold-plated; Tightening torque: 0.8...1.5 Nm

