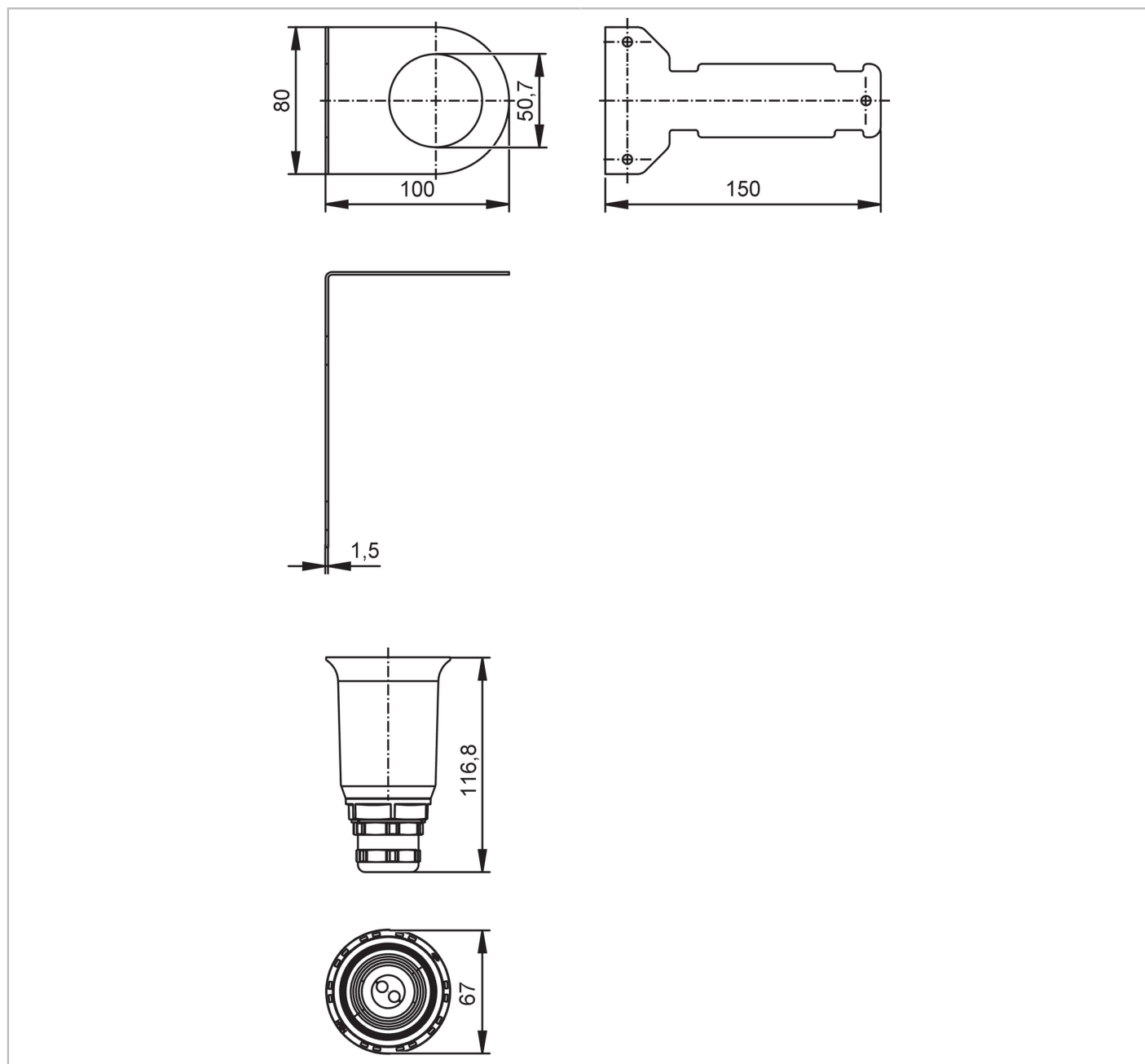


E90001



Set of accessories for LTE router

IP67 Accessory Set LTE Router



Application	
Design	accessories for AE9000/AE9001
Components	Mounting bracket: 150 x 80 x 100 mm Protective cover: Ø 67,7 x 90 mm
Operating conditions	
Protection	IP 67; (when mounted)
Mechanical data	
Weight [g]	447
Material	Mounting bracket: stainless steel; Protective cover: PBT

E90001



Set of accessories for LTE router

IP67 Accessory Set LTE Router

Accessories	
Items supplied	Mounting clamp: 2 x (\varnothing 50...150 mm), stainless steel
	screws: 3 x (\varnothing 4,8 x 38 mm)
	dowels: 3 x (\varnothing 8 x 40 mm)
	sealing ring: 1, O-ring
	Cable gland: 1 x M32, with O-ring, rubber seal with 2 feedthroughs, \varnothing 6 mm each (Cable: \varnothing 6 mm, +0,5 mm, -0,1 mm)
	rubber dummy plug: 1 x \varnothing 6 mm
Remarks	
Pack quantity	1 pcs.
Diagrams and graphs	

Installation

