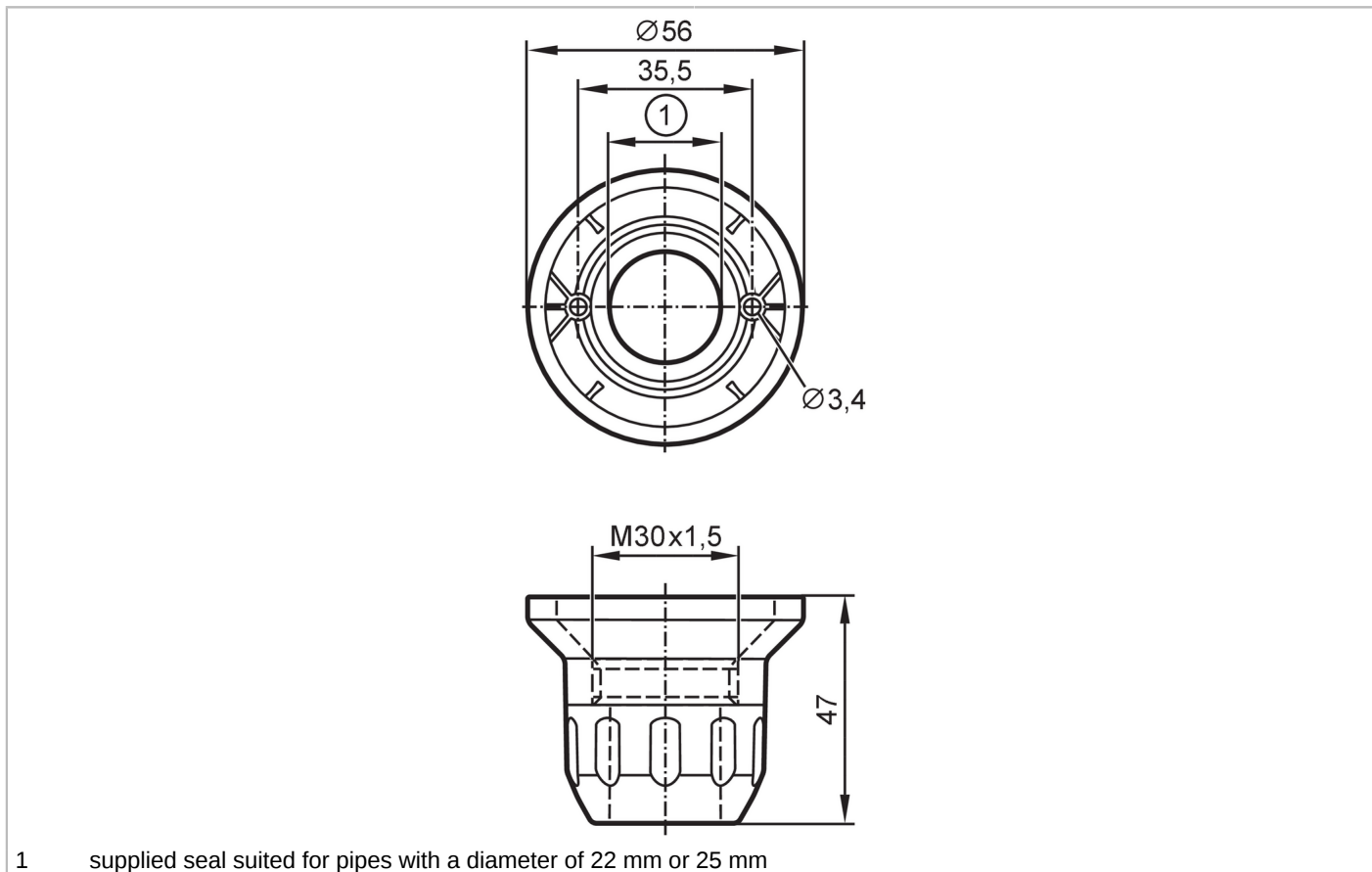


# E89080



## Mounting base

S-LED/Pole mounting bracket



1 supplied seal suited for pipes with a diameter of 22 mm or 25 mm

Mechanical data	
Weight [g]	58.5
Dimensions [mm]	Ø 56 / L = 35
Material	Clamp: polycarbonate-ABS black
Accessories	
Accessories (optional)	mounting base, E89060
	wall bracket, E89061
	bracket with lateral cable entry, E89064
	mounting tube, E89065
	mounting tube, E89066
mounting tube, E89067	
Remarks	
Pack quantity	1 pcs.

# E89080

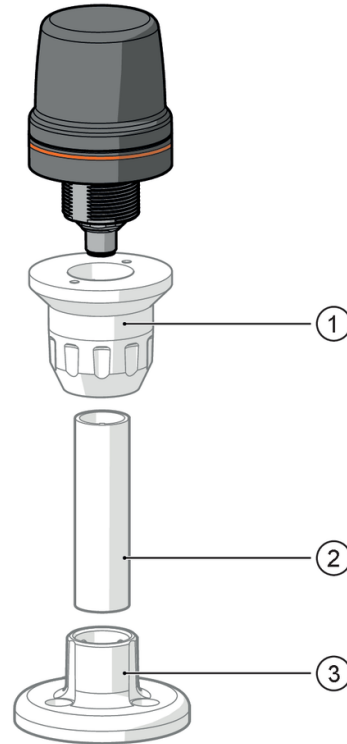


## Mounting base

S-LED/Pole mounting bracket

### Diagrams and graphs

base mounting



- 1 E89080 not supplied
- 2 E89065, E89066, E89067 not supplied
- 3 E89060 not supplied

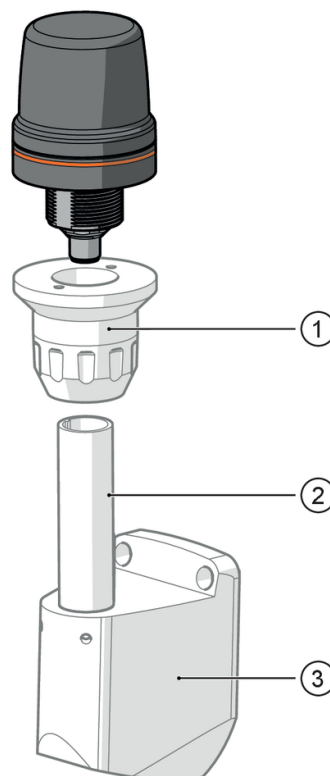
# E89080



## Mounting base

S-LED/Pole mounting bracket

wall mounting



- 1 E89080 not supplied
- 2 E89065, E89066, E89067 not supplied
- 3 E89061 not supplied