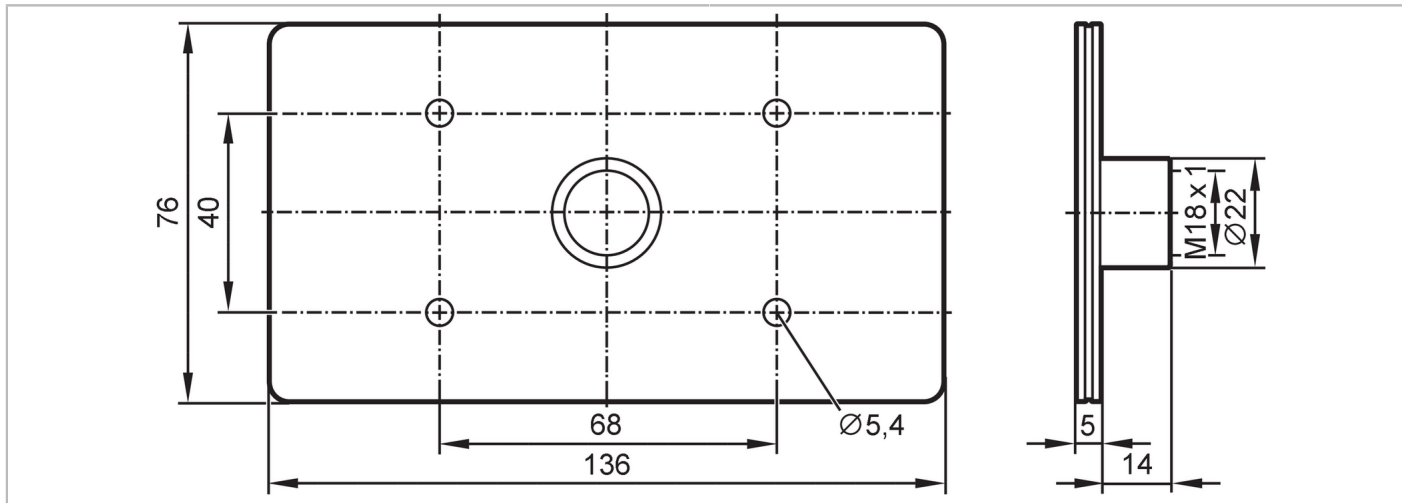


E80390



RFID antenna adapter to increase the ranges

ANT-AMP/136x76/M18



Electrical data		
Operating frequency	[MHz]	13,56
Operating conditions		
Ambient temperature	[°C]	-20...60
Storage temperature	[°C]	-20...60
Tests / approvals		
MTTF	[years]	43905
Mechanical data		
Weight	[g]	95.5
Material		PVC
Tightening torque	[Nm]	0.6
Remarks		
Pack quantity		1 pcs.
Other data		

Tag E80371 (30 mm)

Antenna	Range without metal		
ANT420 / DTM424 + E80390	30 mm		
ANT421 / DTM425 + E80390	80 mm		

Tag E80384 (50 mm)

Antenna	Range without metal		
ANT420 / DTM424 + E80390	60 mm		
ANT421 / DTM425 + E80390	100 mm		

E80390



RFID antenna adapter to increase the ranges

ANT-AMP/136x76/M18

Tag E80320 (ISO card)

Antenna	Range without metal			
ANT420 / DTM424 + E80390	75 mm			
ANT421 / DTM425 + E80390	150 mm			