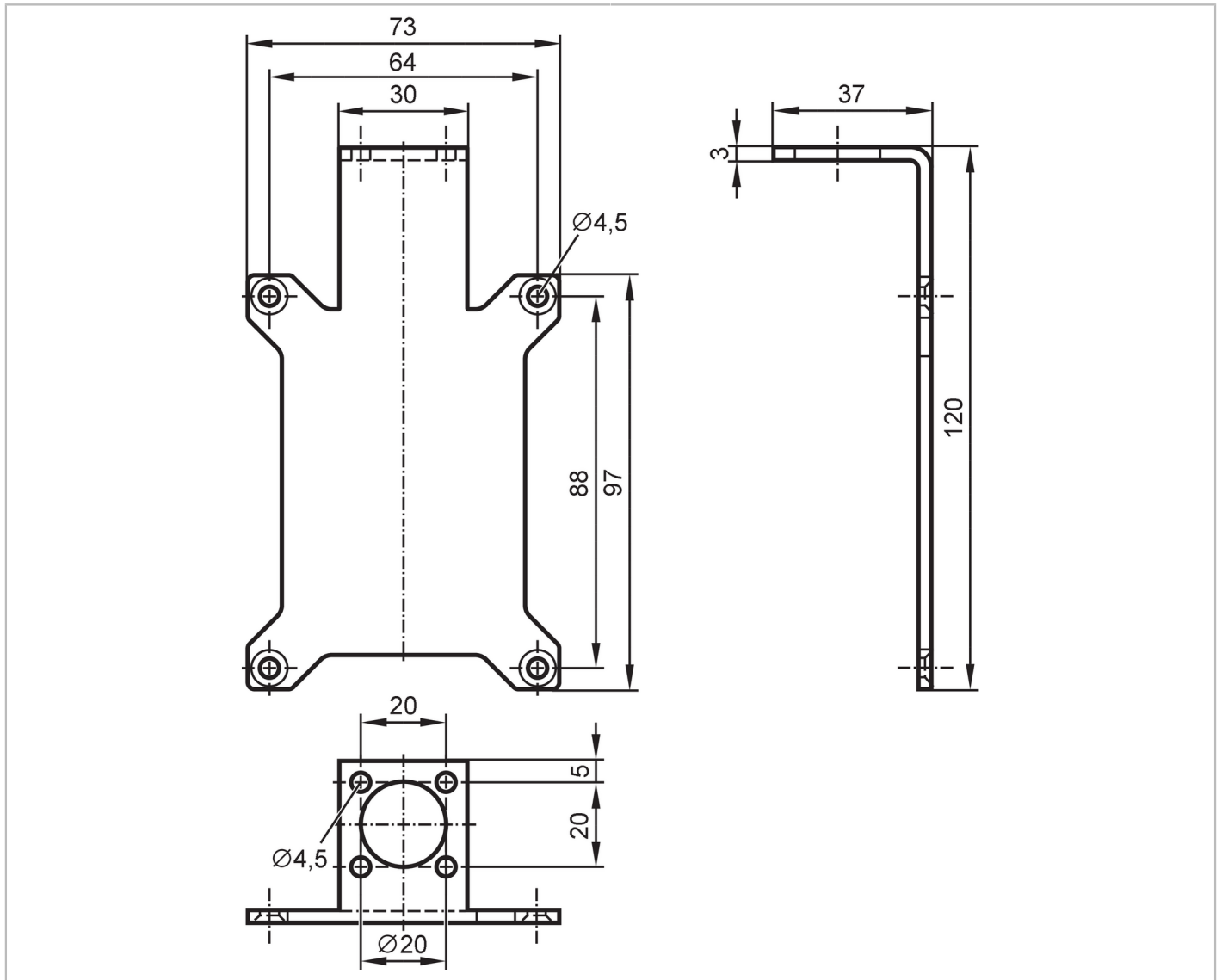


E80335



Assembly angle

Mounting Device/ ANT600/ A



Application	
Design	for types ANT600, DTExxx, DTIxxx
Mechanical data	
Weight [g]	168.5
Material	stainless steel (1.4301 / 304)
Remarks	
Pack quantity	1 pcs.