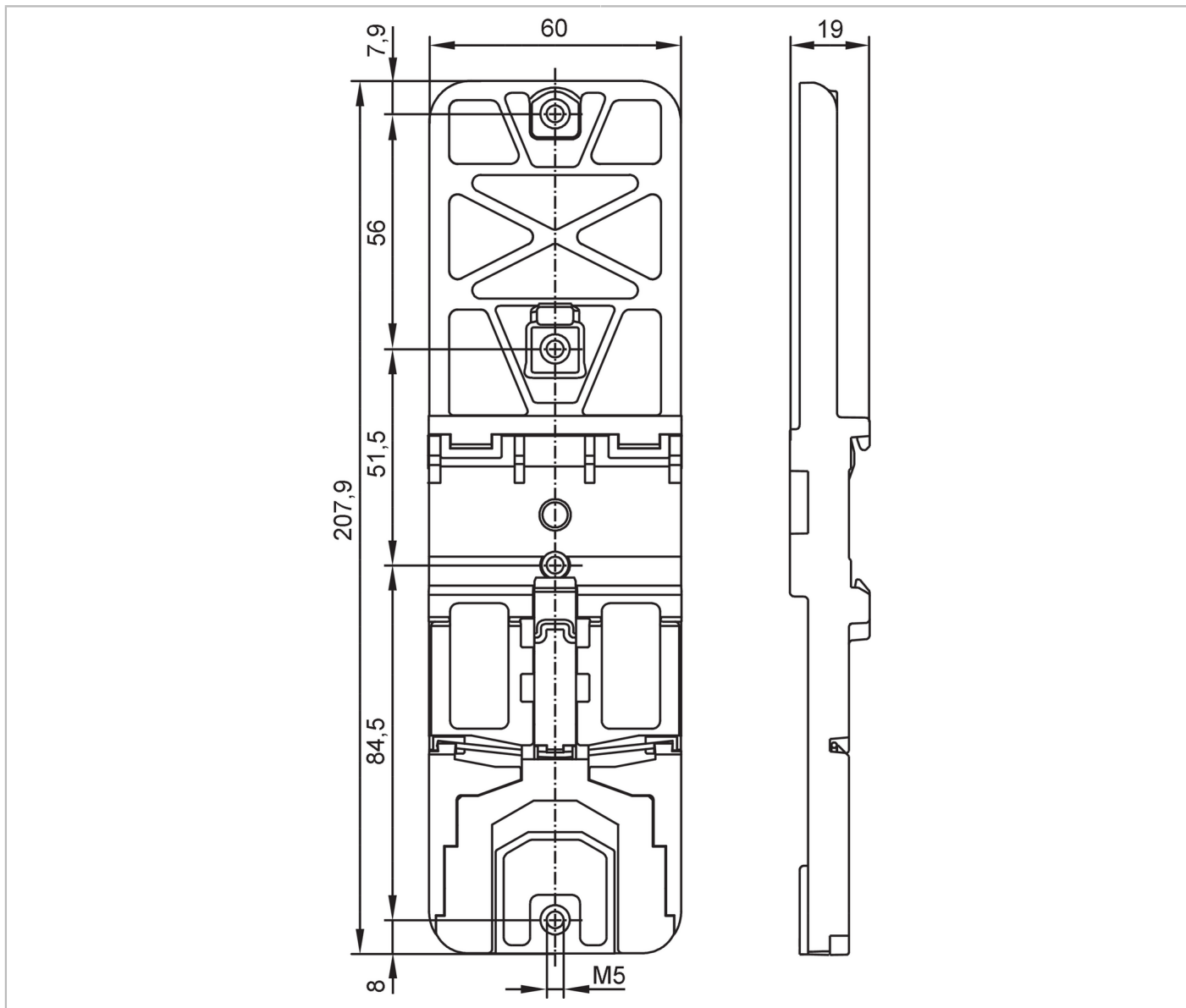


E78002



DIN rail adapter

DIN rail adapter 4/6 rows



Application	
Design	For DIN rail mounting of field modules
Mechanical data	
Weight [g]	103.8
Type of mounting	Mounting on DIN rail; (TH35 (EN 60715))
Dimensions [mm]	207.9 x 60 x 19
Material	DIN rail adapter: PC/ABS; threaded bush: stainless steel (1.4404 / 316L)
Accessories	
Items supplied	cylinder screws: 2 x (M5 x 30 mm) washers: 2 Set screws: 1 x (M5 x 10 mm)
Remarks	
Pack quantity	1 pcs.

E78002



DIN rail adapter

DIN rail adapter 4/6 rows

Diagrams and graphs

Installation

