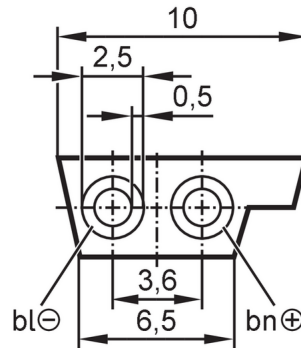


E74300



AS-Interface flat cable

Flat cable 100 m Process ye



Application		
Special feature	Drag chain suitability	
Design	for use of insulation displacement technology	
Application	Washdown applications	
Electrical data		
Operating voltage [V]	26.5...31.6 DC; (Peak voltage 300 V)	
Operating conditions		
Ambient temperature [°C]	-40...105	
Tests / approvals		
UL approval	AWM style	2103
	File number UL	E130266
CSA approval	File Nummer	LL55255-42
Mechanical data		
Weight [g]	6745	
Drag chain suitability	yes	
Drag chain suitability	Bending radius for flexible applications	75 mm
	Travel speed	max. 4 m/s at 10 m horizontal travel length and max. acceleration of 4 m/s ²
	Bending cycles	≥ 10 Mio
	Torsional strain	360°/m
Remarks		
Remarks	100 m form supplied: coiled	
Pack quantity	100 m	
Electrical connection		
Cable: 100 m, TPE-PVC compound, yellow; 2 x 1.5 mm ²		