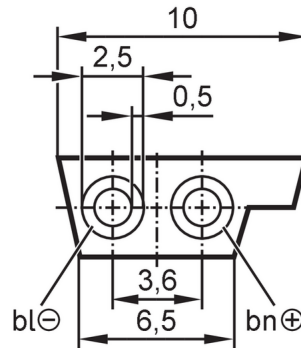


E74002



AS-Interface flat cable

Flat cable 50 meter EPDM ye



Application

Special feature

Halogen-free

Application

Industrial applications

Electrical data

Operating voltage

[V]

26.5...31.6 DC

Operating conditions

Ambient temperature

[°C]

-40...85

Mechanical data

Weight

[g]

3720.5

Remarks

Remarks

50 m form supplied: coiled

Pack quantity

50 m

Electrical connection

Cable: 50 m, EPDM, Halogen-free, yellow; 2 x 1.5 mm²