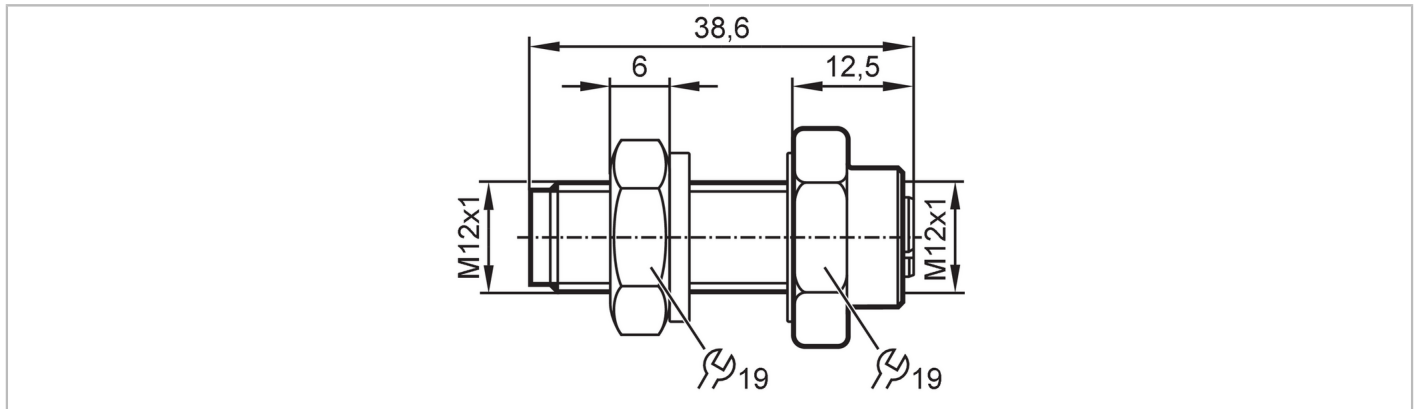


E73009



Wall passage

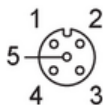
Wall passage stainless steel



Application	
Application	Industrial applications
Electrical data	
Operating voltage [V]	< 60 AC/DC
Max. current load total [A]	8; (Pin 1+3: 4 A; Pin 2+4: 4 A)
Operating conditions	
Ambient temperature [°C]	-40...85
Protection	IP 65; IP 67; IP 69K
Mechanical data	
Weight [g]	29.5
Material	stainless steel (1.4305 / 303); sealing: EPDM
Molded-body material	stainless steel (1.4305 / 303)
Tightening torque [Nm]	1
Remarks	
Remarks	Das Anzugsdrehmoment für die Befestigungsmuttern beträgt 0,6...1,0 Nm.
Pack quantity	1 pcs.

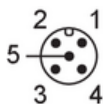
Electrical connection - Socket

Connector: 1 x M12, straight; coding: A; Contacts: 5; Moulded body: stainless steel (1.4305 / 303)



Electrical connection - plug

Connector: 1 x M12, straight; coding: A; Contacts: 5; Moulded body: stainless steel (1.4305 / 303)



E73009



Wall passage

Wall passage stainless steel

Connection

